



Cat[®] 252B Series 3

SKID STEER LOADER

FEATURES:

The Cat[®] 252B Series 3 Skid Steer Loader, with its vertical lift design, delivers extended reach and lift height for quick and easy truck loading. Its stability and lifting performance provides excellent material handling. The 252B Series 3 features the following:

- **Ergonomic operator station** features easy to use pilot operated joystick controls for reduced operator fatigue and increased productivity.
- **High performance power train** provides high engine horsepower and torque, allowing part-throttle operation for lower sound levels and fuel consumption.
- **Advanced hydraulic system** is designed for maximum power and reliability.
- **Easy routine maintenance** helps reduce machine downtime for greater productivity.
- **Broad range of performance matched Cat[®] Work Tools** make the Cat Skid Steer Loader the most versatile machine on the jobsite.

Specifications

Engine

Engine Model	Cat [®] C3.4 DIT	
Gross Power SAE J1995	56 kW	75 hp
Net Power SAE 1349/ISO 9249	53 kW	71 hp
Displacement	3.3 L	201 in ³
Stroke	120 mm	4.7 in
Bore	94 mm	3.7 in

Weights*

Operating Weight	3565 kg	7,861 lb
------------------	---------	----------

Power Train

Travel Speed (Forward or Reverse):		
One Speed	11.9 km/h	7.4 mph
Two Speed Option	17.8 km/h	11.1 mph

Hydraulic System

Hydraulic Flow – Standard:		
Loader Hydraulic Pressure	23 000 kPa	3,335 psi
Loader Hydraulic Flow	83 L/min	22 gal/min
Hydraulic Power (calculated)	31.9 kW	42.8 hp

Operating Specifications*

Rated Operating Capacity	1202 kg	2,650 lb
Rated Operating Capacity with Optional Counterweight	1225 kg	2,700 lb
Tipping Load	2404 kg	5,300 lb
Breakout Force, Tilt Cylinder	2498 kg	5,508 lb

Cab

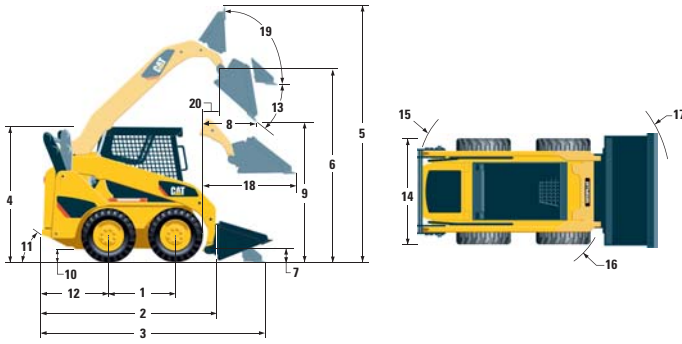
ROPS	SAE J1040 MAY94, ISO 3471:1994
FOPS	SAE J/ISO 3449 APR98 Level I, ISO 3449:1992 Level I
FOPS Level II	SAE J/ISO 3449 APR98 Level II, ISO 3449:1992 Level II (optional)

Service Refill Capacities

Chain Box, each side	8 L	2.1 gal
Cooling System	10 L	2.6 gal
Engine Crankcase	9 L	2.4 gal
Fuel Tank	90 L	23.8 gal
Hydraulic System	53 L	14 gal
Hydraulic Tank	35 L	9.2 gal

* Operating Weight, Operating Specifications and Dimensions all based on 75 kg (165 lb) operator, all fluids, 1 speed, OROPS, 1829 mm (72 in) dirt bucket, Cat 12x16.5 tires, no optional counterweights and manual quick coupler (unless otherwise noted).

252B Series 3 Skid Steer Loader



Dimensions*

1 Wheelbase	1228 mm	48 in
2 Length w/o Bucket	2901 mm	114 in
3 Length w/Bucket on Ground	3616 mm	142 in
4 Height to Top of Cab	2063 mm	82.6 in
5 Maximum Overall Height	4062 mm	160 in
6 Bucket Pin Height at Maximum Lift	3210 mm	126 in
7 Bucket Pin Height at Carry Position	213 mm	8.4 in
8 Reach at Maximum Lift and Dump	829 mm	33 in
9 Clearance at Maximum Lift and Dump	2421 mm	95 in
10 Ground Clearance	196 mm	7.7 in
11 Departure Angle	26.4°	
12 Bumper Overhang Behind Rear Axle	1043 mm	41 in
13 Maximum Dump Angle	51°	
14 Vehicle Width over Tires	1829 mm	72 in
15 Turning Radius from Center – Machine Rear	1679 mm	66 in
16 Turning Radius from Center – Coupler	1362 mm	54 in
17 Turning Radius from Center – Bucket	2167 mm	85 in
18 Maximum Reach w/Arms Parallel to Ground	1257 mm	50 in
19 Rack Back Angle at Maximum Height	88°	
20 Bucket Pin Reach at Maximum Lift	348 mm	13.7 in

MANDATORY EQUIPMENT

- Quick Coupler, Mechanical or Hydraulic
- Seat Belt, 50 mm (2 in) or 75 mm (3 in)
- EU Preparation Package (Europe only)

COMFORT PACKAGE (must select one of the following)

- Open ROPS (C0): *Static Seat*
- Open ROPS (C1): *Suspension Seat, Deluxe Headliner*
- Enclosed ROPS (C2): *C1 + Heater, Cab Door, Side Windows, Cup Holder, Cab Debris Barrier*
- Enclosed ROPS (C3): *C2 + Air Conditioner*

CONTROL PACKAGE (must select one of the following)

- Control Package 1: *On/Off Auxiliary Hydraulics Basic*
- Control Package 2: *Proportional Auxiliary Hydraulics Deluxe, 1 Speed*
- Control Package 3: *Proportional Auxiliary Hydraulics Deluxe, 1 Speed, Work Tool Harness*
- Control Package 4: *Proportional Auxiliary Hydraulics Deluxe, 2 Speed*
- Control Package 5: *Proportional Auxiliary Hydraulics Deluxe, 2 Speed, Work Tool Harness*

STANDARD EQUIPMENT

ELECTRICAL

- 12 volt Electrical System
- 90 ampere Alternator
- Automatic Glow Plug Activation
- Heavy Duty Battery, 880 CCA
- Ignition Key Start/Stop Switch
- Lights: *Gauge Backlighting, Two Rear Tail Lights, Two Adjustable Front and Rear Halogen Lights, Dome Light*

OPERATOR ENVIRONMENT

- Gauges: *Fuel Level, Hour Meter*
- Operator Warning System Indicators: *Air Filter Restriction, Alternator Output, Armrest Raised/Operator Out of Seat, Engine Coolant Temperature, Engine Oil Pressure, Glow Plug Activation, Hydraulic Filter Restriction, Hydraulic Oil Temperature, Parking Brake Engaged*
- Vinyl Seat
- Pull Down Ergonomic Contoured Armrest
- Control Interlock System, when operator leaves seat or armrest raised: *Hydraulic System Disables, Hydrostatic Transmission Disables, Parking Brake Engages*
- ROPS Cab, Open, Tilt Up
- FOPS, Level I
- Top and Rear Windows
- Floor Mat
- Interior Rear View Mirror
- 12 volt Electric Socket
- Backup Alarm
- Horn

POWER TRAIN

- Cat® C3.4 DIT Tier 4 Interim/Stage IIIA Compliant Diesel Engine
- Air Cleaner, Dual Element, Radial Seal
- S-O-SSM Sampling Valve, Hydraulic Oil
- Filters: Spin on, Hydraulic
- Filters: Bayonet-type, Fuel and Water Separator
- Tilt Up Radiator/Hydraulic Oil Cooler
- Muffler, Standard
- Spring Applied, Hydraulically Released Parking Brakes
- Hydrostatic Transmission
- Four Wheel Chain Drive

OTHER

- Engine Enclosure, Lockable
- Extended Life Antifreeze, -36° C (-33° F)
- Machine Tie Down Points (4)
- Support, Lift Arm
- Hydraulic Oil Level Sight Gauge
- Radiator Coolant Level Sight Gauge
- Radiator, Expansion Bottle
- Cat® ToughGuard™ Hose
- Auxiliary, Hydraulics, Continuous Flow
- Heavy Duty, Flat Faced Quick Disconnects
- Split D-Ring to Route Work Tool Hoses Along Side of Left Lift Arm
- Electrical Outlet, Beacon
- Belly Pan Cleanout

OPTIONAL ATTACHMENTS

- Counterweight, increases rated operating capacity 23 kg (50 lb)
- Variable Speed Demand Fan (not available in all regions)
- Beacon, Rotating
- Engine Block Heater – 120V or 240V
- Oil, Hydraulic, Cold Operation
- Paint, Custom

For more complete information on Cat products, dealer services, and industry solutions, visit us on the web at www.cat.com

AEHQ6106 (5-10)

© 2010 Caterpillar
All Rights Reserved
Printed in U.S.A.

Materials and specifications are subject to change without notice. Featured machines in photos may include additional equipment. See your Caterpillar dealer for available options.

CAT, CATERPILLAR, SAFETY.CAT.COM, their respective logos, "Caterpillar Yellow" and the "Power Edge" trade dress, as well as corporate and product identity used herein, are trademarks of Caterpillar and may not be used without permission.

CATERPILLAR®