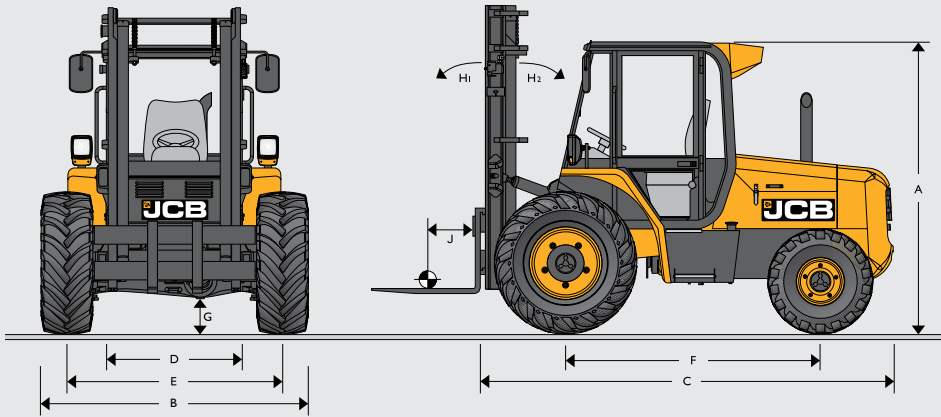


STATIC DIMENSIONS



Machine model		930	940	950	
A	Overall cab height	ft in	8'4"	8'4"	8'4"
B	Overall width (over tires)	ft in	7'2"	7'2"	7'2"
C	Overall length to front carriage	ft in	11'7"	11'9"	11'9"
D	Inside width of cab	ft in	3'6"	3'6"	3'6"
E	Front track	ft in	5'9"	5'9"	5'9"
F	Wheel base	ft in	6'9"	7'2"	7'2"
G	Ground clearance	ft in	10"	10"	10"
H1	Mast tilt forwards	degree	18°	18°	18°
H2	Mast tilt backwards	degree	10°	10°	10°
J	Load center	ft in	21"	21"	21"

The above data is based on the following specification: Standard fork size 42 x 3 x 1 inch.

WEIGHT

Machine model		930	940	950
Machine weight with following mast				
15' 0" Freelift	lb	13,985	15,190	-
22' 0" Clearview	lb	14,495	15,750	17,295
22' 0" Freelift	lb	14,600	18,810	-

The above data is based on the following specification: Standard fork size 42 x 3 x 1 inch.

TURN RADIUS AND GROUND LINE ANGLES

Machine model		930	940	950
Outside turn radius 2WD	ft in	14' 4.4"	14' 7.2"	14' 7.2"
Outside turn radius 4WD	ft in	14' 3.3"	16' 1.7"	16' 1.7"
Departure angle		53°	53°	53°
Obstruction angle		51°	51°	51°

The above data is based on the following specification: Standard fork size 42 x 3 x 1 inch.

ENGINE

Machine model	930/940/950	
Model	JCB ECOMAX TCAE-55	
Displacement	liters	4.4
Fuel	Diesel	
Cooling	Liquid	
Bore	in	4.05
Stroke	in	5.19
Gross power – ISO 14396 @2000 rpm	hp)	74
Gross torque – ISO 14396 @1300 rpm	lb-ft	295
Emission certification	TIER IV FINAL	
Engine oil service intervals	500 hours	

TRANSMISSION

Machine model	930/940/950	
Manufacturer	JCB	
Type	Synchromesh	
Torque converter	11 inches	
Torque converter ratio	2.20:1	
Gears forward/reverse	4/4	
Gear selection	Manual	
Shuttle control - F/R	Power shuttle	
Travel speeds	mph	
Gear 1	3.2	
Gear 2	5.3	
Gear 3	10.1	
Gear 4	18.4	

For unbeatable drive power in all conditions, the JCB Synchro Shuttle combines a 4-speed, fully synchromesh gearbox with integral torque converter and electrically operated reversing shuttle for smooth gear changes on the move and fast cycle times. Column mounted electric switch effortlessly controls machine direction changes allowing operator to keep hands on steering wheel. Automotive style pedal layout and conventional H-pattern gear lever add to ease of operation. Travel speed 18mph. Front drive axle: JCB epicycle hub reduction drive axle with Max-Trac torque proportioning differentials. Rear steer axles: JCB manufacture with hydrostatic power steering. Steer shock valve as standard. 4WD versions with epicyclic hub reduction and Max-Trac torque proportioning differentials.

TIRES

Machine model	930/940/950	
Standard Tires	15.5-25	
Front 2WD	15.5-25 (12 ply)	
Rear 2WD	12.5/80-18 (10 ply)	
Front 4WD	15.5-25 (12 ply)	
Rear 4WD	14-17.5 (10 ply)	

ELECTRICAL SYSTEM

Machine model	930/940/950	
System voltage	Volt	12
Alternator output	Amp hour	95
Battery capacity	Amp hour	120

SERVICE CAPACITIES

Machine model	930/940/950	
Fuel tank	gal	19.3
Hydraulic tank	gal	13.1
Engine oil sump	gal	2.6
Transmission oil system	gal	4
Engine coolant system	gal	3.7

BRAKES Service brakes: Hydraulically activated, self-adjusting, oil-immersed in-board multi-disc type in front axle (930). Optional Hydraulic Servo assisted, self adjusting brakes on 930 standard on 940/950. Parking brake: Hand operated disc brake on output of gearbox.

HYDRAULICS Single gear pump with steer priority valve, suction strainer and filter. Operating system pressure: 3205 psi, flow 20gpm. Pipe burst protection on mast hydraulics.

MASTS AND CARRIAGES Clearview masts manufactured from channel and I-section steel. Heavy-duty mast chains. Guide roller bearings are sealed for life. Industrial class IIIB carriage, or floating shaft carriage available on various masts. Adjustable right hand tilt ram.

OPERATOR MODULE Safety quiet cab or canopy, FOPS standard (falling object protective structure) to ANSI B56.6 – 1978. **Cab:** Resiliently mounted, two door access, level floor with mat, safety glass all around with laminated roof window. Features include: Suspension cloth/vinyl seat, rear view mirror and 2 speed heater/demister. Front/Rear screen wiper and washer, horn. Handbook. Instruments for hour meter battery charge. Audible/Visual warning system for alternator charge, coolant temperature, engine oil pressure, blocked air filter, transmission oil pressure and temperature. Warning lights for: park brake on. Hydraulic control levers, gear lever, park brake, forward/reverse lever, 4WD disconnect, throttle, brake, and transmission disconnect button. **Canopy:** As above but with no glazing (screen wiper and heater/screen demister not applicable), and rear fenders are optional.

OPTIONS AND ATTACHMENTS Wheel and tire sets. Air suspension seat. Roof screen washer/wiper. Flashing roof beacon. Fire extinguisher. Cab exterior mirrors. Front screen guard. Optional rear fenders. Reversing lights. Engine fan guard kit. Front and rear cab lights. Immobilizer. Roadlight.

PERFORMANCE DIMENSIONS - 930

Description of mast	Overall lowered height (in)	Overall height raised (in)	Freelift (in)	Max height of mast lift (in)	Capacity at full height (lbs)	Mast raise/lower speed (ft/min)
15' FL - 66" Shaft Carriage	98.5	215.3	62.9	180.5	6000	1.0 (0.31) / 1.49 (0.45)
15' FL - 84" Shaft Carriage	98.5	215.3	62.9	180.5	6000	1.0 (0.31) / 1.49 (0.45)
15' FL - 60" ITA Carriage	98.5	215.3	64.5	182	6000	1.0 (0.31) / 1.49 (0.45)
15' FL - 72" ITA Carriage	98.5	215.3	64.5	182	6000	1.0 (0.31) / 1.49 (0.45)
22' CV - 66" Shaft Carriage	126.5	301.8	-	264.5	2500	1.64 (0.5) / 1.75 (0.53)
22' CV - 84" Shaft Carriage	126.5	301.8	-	264.5	2500	1.64 (0.5) / 1.75 (0.53)
22' CV - 60" ITA Carriage	126.5	301.8	-	266	2500	1.64 (0.5) / 1.75 (0.53)
22' CV - 72" ITA Carriage	126.5	301.8	-	266	2500	1.64 (0.5) / 1.75 (0.53)
22' FL - 66" Shaft Carriage	126.5	299.3	91	264.5	2500	1.0 (0.31) / 1.49 (0.45)
22' FL - 84" Shaft Carriage	126.5	299.3	91	264.5	2500	1.0 (0.31) / 1.49 (0.45)
22' FL - 60" ITA Carriage	126.5	299.3	92.5	266	2500	1.0 (0.31) / 1.49 (0.45)
22' FL - 72" ITA Carriage	126.5	299.3	92.5	266	2500	1.0 (0.31) / 1.49 (0.45)

PERFORMANCE DIMENSIONS - 940

Description of mast	Overall lowered height (in)	Overall height raised (in)	Freelift (in)	Max height of mast lift (in)	Capacity at full height (lbs)	Mast raise/lower speed (ft/min)
15' FL - 66" Shaft Carriage	98.5	215.3	62.9	180.5	8000	1.48 (0.45) / 1.63 (0.49)
15' FL - 84" Shaft Carriage	98.5	215.3	62.9	180.5	8000	1.48 (0.45) / 1.63 (0.49)
15' FL - 60" ITA Carriage	98.5	215.3	64.5	182	8000	1.48 (0.45) / 1.63 (0.49)
15' FL - 72" ITA Carriage	98.5	215.3	64.5	182	8000	1.48 (0.45) / 1.63 (0.49)
22' CV - 66" Shaft Carriage	126.5	301.8	-	264.5	3500	1.64 (0.5) / 1.75 (0.53)
22' CV - 84" Shaft Carriage	126.5	301.8	-	264.5	3500	1.64 (0.5) / 1.75 (0.53)
22' CV - 60" ITA Carriage	126.5	301.8	-	266	3500	1.64 (0.5) / 1.75 (0.53)
22' CV - 72" ITA Carriage	126.5	301.8	-	266	3500	1.64 (0.5) / 1.75 (0.53)
22' FL - 66" Shaft Carriage	126.5	299.3	91	264.5	3500	1.48 (0.45) / 1.63 (0.49)
22' FL - 84" Shaft Carriage	126.5	299.3	91	264.5	3500	1.48 (0.45) / 1.63 (0.49)
22' FL - 60" ITA Carriage	126.5	299.3	92.5	266	3500	1.48 (0.45) / 1.63 (0.49)
22' FL - 72" ITA Carriage	126.5	299.3	92.5	266	3500	1.48 (0.45) / 1.63 (0.49)

PERFORMANCE DIMENSIONS - 950

Description of mast	Overall lowered height (in)	Overall height raised (in)	Freelift (in)	Max height of mast lift (in)	Capacity at full height (lbs)	Mast raise/lower speed (ft/min)
15' FL - 66" Shaft Carriage	215.3		62.9	180.5	10000	1.64 (0.5) / 1.75 (0.53)
15' FL - 84" Shaft Carriage	215.3		62.9	180.5	10000	1.64 (0.5) / 1.75 (0.53)
15' FL - 60" ITA Carriage	215.3		64.5	182	10000	1.64 (0.5) / 1.75 (0.53)
15' FL - 72" ITA Carriage	215.3		64.5	182	10000	1.64 (0.5) / 1.75 (0.53)
22' CV - 66" Floating Shaft Carriage	126.5	301.8	-	264.5	6500	1.64 (0.5) / 1.75 (0.53)
22' CV - 84" Floating Shaft Carriage	126.5	301.8	-	264.5	6500	1.64 (0.5) / 1.75 (0.53)
22' CV - 60" Hook Carriage	126.5	301.8	-	264.5	6500	1.64 (0.5) / 1.75 (0.53)
22' CV - 72" Hook Carriage	126.5	301.8	-	264.5	6500	1.64 (0.5) / 1.75 (0.53)