

3,000 to 4,000 lbs. 1,361 to 1,814 kg • Standard Features

SAFETY

- Active Mast Control (AMC)
 - Forward tilt angle controller
 - Rear tilt speed controller
- Momentary hold/controlled descent
- Key-lowering interlock
- Hand parking brake
- Adjustable front headlights
- Front combination lights - includes clearance lights and turn signal
- High mount rear combination lights - includes brake, clearance back-up lights and turn signal
- Asbestos free brakes
- Electric horn
- Manual return to neutral
- Back up alarm
- Operator Presence Sensing System (OPSS)

PERFORMANCE

- 48 Volt electrical system
- AC drive system (MOSFET Transistor)
- AC lift system (MOSFET Transistor)
- Transistorized hydraulic control
- Programmable hydraulics
- UL-approved model type E
- Transversely mounted AC drive motors
- Power select functions (S.P.H.)
- Digital multifunction display
 - Time & Date
 - Speedometer
 - Multifunction hour meters
 - Battery capacity indicator
 - Parking brake indicator
 - Over discharge warning (lift interrupt)
- Power keep function
- 3-way hydraulic control valve
- Auto-off system (programmable)
- Three forms of energy regeneration
 - Coast control
 - Plug braking
 - Foot braking

BODY/EXTERIOR DESIGN

- Wide view 2-stage mast (V)
- Low, wide entry/exit steps
- Bolt-on overhead guard
- Smooth cushion tires (dual steer wheels)
- 36" wide ITA class II fork carriage
- 48" load backrest extension
- 90° wide-opening battery hood
- 78" OHG height
- 21.7" battery compartment (7FBEU15.18)
- 25.1" battery compartment (7FBEHU18)
- 25.1" battery compartment (7FBEU20)
- SB 350 battery connector (gray)
- Drawbar pin

OPERABILITY AND ERGONOMICS

- Strategically configured instrument display
- On demand, hydrostatic power steering
- Cowl-mounted hydraulic controls
- Automatic fork leveling control
- Operator assist grip
- Cloth 4-way adjustable semi-suspension seat with operator restraint system (ORS)
- Retractable seat belt
- Electric directional shift control
- Memory-tilt steering column
- Heavy-duty non-slip floor mat
- Two-spoke steering wheel
- Dash integrated pen/pencil holder
- Dash mounted cup holder
- Curvilinear OHG front pillars
- Hood integrated paper clip

SERVICEABILITY

- AC drive & lift motors (no brushes or commutator)
- Thermal protection monitor
- Programmable maintenance timer
- Battery compartment hood assist damper
- Easy access no-tools floorboard
- Built-in analyzer
- Self-diagnostics
- Easy access controllers

OPTIONAL EQUIPMENT

- UL-approved model type EE
- UL-approved model type ES
- Pneumatic tires (dual steer wheels) (3-3.5k)
- Solid pneumatic tires (dual steer wheels) (3-3.5k)
- Non-marking tires (dual steer wheels)
- Mini-Lever controls
- Cold storage model
- Battery roll-out
- 4-way hydraulic control valve
- Battery compartment side panels
- EZ Pedal (foot directional control)
- Vinyl 4-way adjustable semi-suspension seat
- Vinyl premium non-suspension seat
- Vinyl 3-way adjustable full-suspension seat
- Swivel seat (12°)
- 36 Volt electrical system
- Sideshifter
- Drive-in rack OHG
- 80" OHG height
- 76.8" OHG height
- Rear view mirrors (left & right)
- 12 Volt power supply
- Operator compartment light
- Strobe lights (yellow, red, blue & clear)
- Rear working light
- Inset headlights (within OHG)
- Adjustable volume back-up alarm (Smart alarm)
- Anti-static ground strap
- Wide-view full free lift 2-stage mast (FV)
- Wide-view full free lift 3-stage mast (FSV)
- Wide-view full free lift 4-stage mast (QFV)
- Keyless key switch
- Tapered forks
- Fully tapered & polished forks (FTP)
- Various carriage widths
- Various load backrest extension heights
- Bottler's tilt (10° fwd/5° bwd)
- Tilt cylinder boots
- Front protector cover
- Side hosing termination
- Pencil/tape holder
- Fire extinguisher
- Quick disconnects (single & dual)
- Steering wheel with knob
- Synchronized steering (Steering wheel knob is recommended)
- Battery compartment bolt-on sub-weight

Note: Please check with your local Toyota sales professional for additional options.

3,000 to 4,000 lbs. 1,361 to 1,814 kg • Specifications

Models		7FBEU15	7FBEU18	7FBEU18	7FBEU20
Load Capacity (with 24-in. 600 mm load center)	lb. <i>kg</i>	3000 <i>1361</i>	3500 <i>1587</i>	3500 <i>1587</i>	4000 <i>1814</i>
Brakes		Dual Mechanical Disc (Foot)			

EXTERIOR DIMENSIONS

A Maximum Fork Height (MFH)		in <i>mm</i>	119 <i>3022</i>	119 <i>3022</i>	119 <i>3022</i>	119.5 <i>3035</i>
B Mast Lowered Height		in <i>mm</i>	77.6 <i>1971</i>	77.6 <i>1971</i>	77.6 <i>1971</i>	77.6 <i>1971</i>
C Mast Extended Height		in <i>mm</i>	166.1 <i>4219</i>	166.1 <i>4219</i>	166.1 <i>4219</i>	166.1 <i>4219</i>
D Free Lift		in <i>mm</i>	5.7 <i>149</i>	5.7 <i>149</i>	5.7 <i>149</i>	5.7 <i>149</i>
E Load Distance ¹		in <i>mm</i>	13.8 <i>350</i>	13.8 <i>350</i>	13.8 <i>350</i>	14.4 <i>365</i>
F Wheelbase		in <i>mm</i>	51.6 <i>1310</i>	51.6 <i>1310</i>	55.1 <i>1399</i>	55.1 <i>1399</i>
G Fork Size (TxWxL)		in <i>mm</i>	1.4x4x42 <i>35x101x1066</i>	1.4x4x42 <i>35x101x1066</i>	1.4x4x42 <i>35x101x1066</i>	1.6x5x42 <i>40x127x1066</i>
H Length to Fork Face		in <i>mm</i>	72 <i>1828</i>	74.6 <i>1894</i>	76.4 <i>1940</i>	77.2 <i>1961</i>
I Overhead Guard Height		in <i>mm</i>	78 <i>1981</i>	78 <i>1981</i>	78 <i>1981</i>	78 <i>1981</i>
J Tilt Range (forward/backward)		deg.	5/6.5	5/6.5	5/6.5	5/6.5
K Outside Turning Radius		in <i>mm</i>	58.3 <i>1480</i>	60.8 <i>1544</i>	62.8 <i>1595</i>	62.8 <i>1595</i>
L Basic Right Angle Stacking Aisle Width ²		in <i>mm</i>	72.1 <i>1831</i>	74.6 <i>1894</i>	76.6 <i>1945</i>	77.2 <i>1961</i>
M Overall Width		in <i>mm</i>	41.5 [42.1] <i>1054 [1069]</i>	41.5 [42.1] <i>1054 [1069]</i>	41.5 [42.1] <i>1054 [1069]</i>	41.5 <i>1054</i>
N Carriage Width		in <i>mm</i>	36 <i>914</i>	36 <i>914</i>	36 <i>914</i>	36 <i>914</i>
O Tread Width	Front	in <i>mm</i>	35.4 [36] <i>899 [914]</i>	35.4 [36] <i>899 [914]</i>	35.4 [36] <i>899 [914]</i>	35.4 <i>899</i>
	Rear	in <i>mm</i>	6.9 <i>175</i>	6.9 <i>175</i>	6.9 <i>175</i>	6.9 <i>175</i>

POWER SYSTEM

Battery Compartment	Width	in <i>mm</i>	39.2 <i>995</i>	39.2 <i>995</i>	39.2 <i>995</i>	39.2 <i>995</i>	
	Length	in <i>mm</i>	21.7 <i>551</i>	21.7 <i>551</i>	25.1 <i>637</i>	25.1 <i>637</i>	
	Height	in <i>mm</i>	24.1 <i>612</i>	24.1 <i>612</i>	24.1 <i>612</i>	24.1 <i>612</i>	
Power Type			Battery				
Battery	Voltage/Capacity (6-hour ratings)	STD 36V/48V	AH	595/375	595/375	765/660	765/660
		High 36V/48V	AH	880/660	880/660	1100/770	1100/770
	Min. weight		lb. <i>kg</i>	1543 <i>700</i>	1543 <i>700</i>	2105 <i>954</i>	2105 <i>954</i>
Electric Motors	Drive (Dual)	36V/48V	SAE HP <i>kW</i>	4.7x2/6.5x2 <i>3.6x2/4.9x2</i>	4.7x2/6.5x2 <i>3.6x2/4.9x2</i>	4.7x2/6.5x2 <i>3.6x2/4.9x2</i>	4.7x2/6.5x2 <i>3.6x2/4.9x2</i>
	Load Handling (Hyd.)	36V/48V	SAE HP <i>kW</i>	9.1/12.2 <i>6.9/9.2</i>	9.1/12.2 <i>6.9/9.2</i>	9.1/12.2 <i>6.9/9.2</i>	9.1/12.2 <i>6.9/9.2</i>
Control Type	Drive		Transistor Invertor				
	Load Handling (Hyd.)		Transistor Invertor				

PERFORMANCE DATA

fwd/rvs – full load Maximum Travel Speed (H-Mode)	36V	m.p.h. <i>km/h</i>	8.4 <i>13.5</i>	8.1 [7.8] <i>13 [12.6]</i>	8.1 [7.8] <i>13 [12.6]</i>	7.8 <i>12.6</i>	
	48V	m.p.h. <i>km/h</i>	9.3 <i>15</i>	9.3 [9.1] <i>15 [14.6]</i>	9.3 [9.1] <i>15 [14.6]</i>	9 <i>14.5</i>	
	36V	m.p.h. <i>km/h</i>	9 <i>14.5</i>	8.7 <i>14</i>	8.4 <i>14</i>	8.4 <i>13.5</i>	
	48V	m.p.h. <i>km/h</i>	10.2 <i>16.4</i>	9.9 <i>15.9</i>	9.6 <i>15.4</i>	9.6 <i>15.4</i>	
Lift Speed (V Mast only)	full load	36V/48V	f.p.m. <i>mm/sec</i>	67/85 <i>340/432</i>	61/83 <i>310/421</i>	61/83 <i>310/421</i>	59/75 <i>299/381</i>
	no load	36V/48V	f.p.m. <i>mm/sec</i>	97/120 <i>492/609</i>	97/120 <i>492/609</i>	97/120 <i>492/609</i>	97/120 <i>492/609</i>
Lowering Speed (V Mast only)	full load		f.p.m. <i>mm/sec</i>	98 <i>498</i>	98 <i>498</i>	98 <i>498</i>	98 <i>498</i>
	no load		f.p.m. <i>mm/sec</i>	108 <i>548</i>	108 <i>548</i>	108 <i>548</i>	108 <i>548</i>
Maximum Drawbar Pull	full load ³		lb. <i>N</i>	1790 <i>7962</i>	1760 <i>7829</i>	1760 <i>7829</i>	1760 <i>7829</i>
	no load ³		lb. <i>N</i>	1830 <i>8140</i>	1810 <i>8051</i>	1810 <i>8051</i>	1810 <i>8051</i>
Maximum Gradeability	full load ³		%	19	17	17	16
	no load ³		%	23	21	23	21

UNDERCLEARANCE

Center of Wheelbase	in <i>mm</i>	3.3 <i>83.8</i>	3.3 <i>83.8</i>	3.3 <i>83.8</i>	3.3 <i>83.8</i>
---------------------	--------------	-----------------	-----------------	-----------------	-----------------

TRUCK WEIGHTS

Gross weight without battery		lb. <i>kg</i>	4620 [4465] <i>2095[2025]</i>	4995 [4840] <i>2265[2195]</i>	4500 [4345] <i>2041[1971]</i>	5125 <i>2324</i>
Weight Distribution w/ Std. Battery	front-full load	lb. <i>kg</i>	8350 [8245] <i>3787[3740]</i>	9215 [9105] <i>4980[4130]</i>	9360 [9250] <i>4245[4195]</i>	10,020 <i>4545</i>
	rear-full load	lb. <i>kg</i>	1155 [1115] <i>524[505]</i>	1225 [1180] <i>555[535]</i>	1170 [1125] <i>530[510]</i>	1280 <i>580</i>
	front-no load	lb. <i>kg</i>	2900 [2790] <i>1315[1265]</i>	2855 [2745] <i>1295[1245]</i>	3165 [3055] <i>1435[1385]</i>	3230 <i>1465</i>
	rear-no load	lb. <i>kg</i>	3305 [3265] <i>1499[1481]</i>	3725 [3680] <i>1689[1669]</i>	3515 [3470] <i>1594[1574]</i>	4070 <i>1846</i>

ATTACHMENT

Attachment Operating Hydraulic Pressure	p.s.i. <i>Mpa</i>	2000 <i>13.6</i>	2000 <i>13.6</i>	2000 <i>13.6</i>	2000 <i>13.6</i>
---	-------------------	------------------	------------------	------------------	------------------

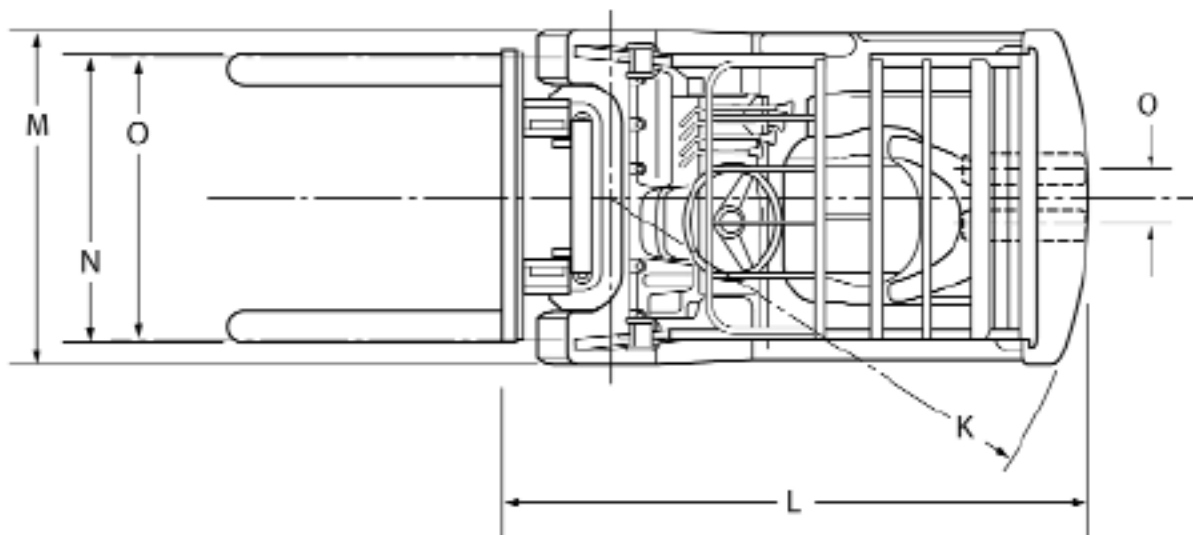
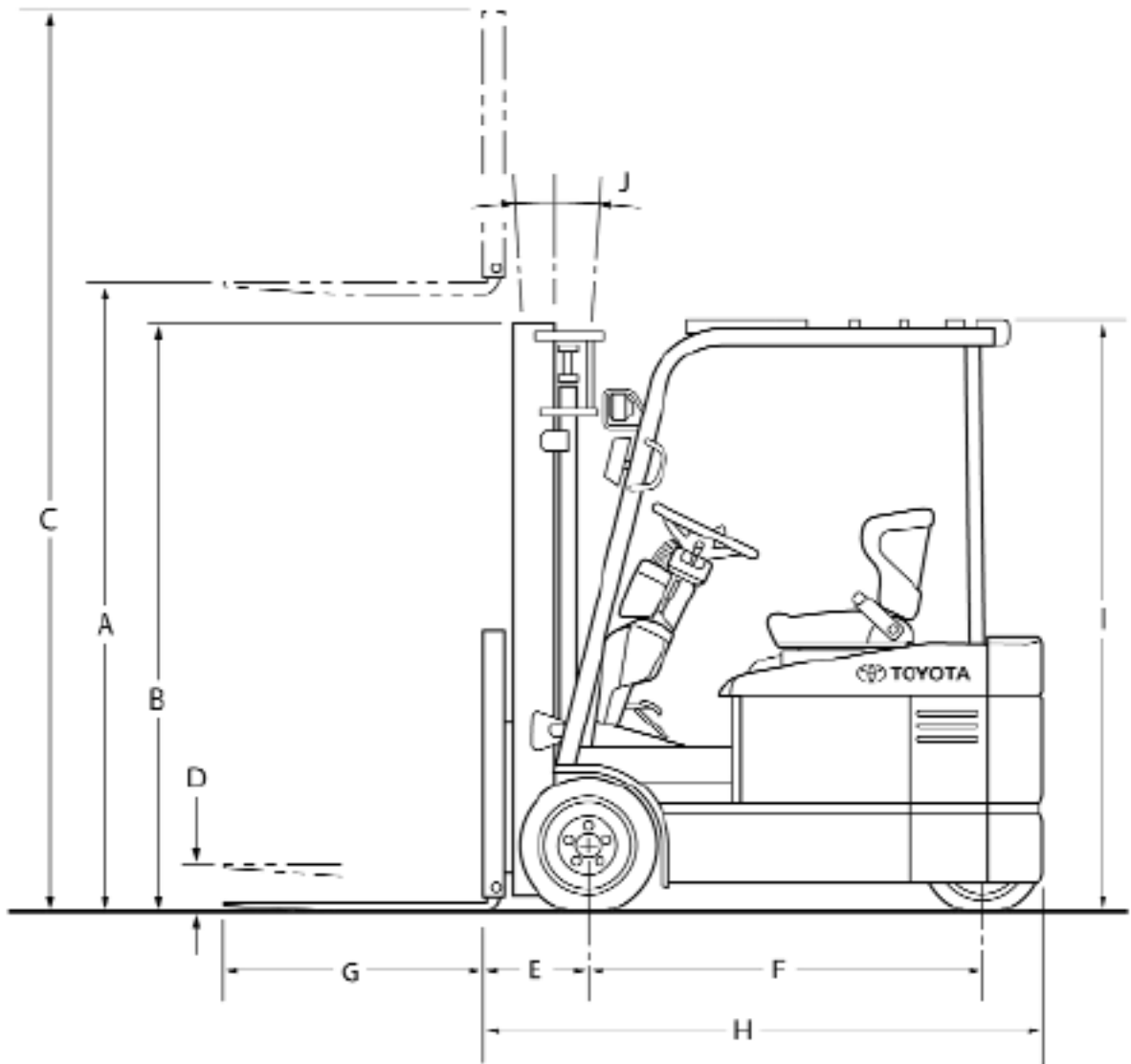
TIRES

Type (front/rear)		Cushion/Cushion [Pneumatic/Pneumatic]			
Size (ODxWxD)	Drive <i>Front</i>	18x7x12-1/8 [18x7-8-16PR]	18x7x12-1/8 [18x7-8-16PR]	18x7x12-1/8 [18x7-8-16PR]	18x7x12-1/8
	Steer <i>Rear</i>	15x5x11-1/4 [16x6-8-10PR]	15x5x11-1/4 [16x6-8-10PR]	15x5x11-1/4 [16x6-8-10PR]	15x5x11-1/4

1) Centerline of front axle to front face of forks. 2) Add load length and aisle clearance. 3) 3-minute rating computed values.

[] Pneumatic Tire Model Specifications

3,000 to 4,000 lbs. 1,361 to 1,814 kg • Specifications



3,000 to 4,000 lbs. 1,361 to 1,814 kg • Mast Specifications

7FBEU15

Mast Type	Maximum Fork Height (top of forks)	Overall Height				Free Lift		Tilt Range		Load Capacity @ 24 in. 600 mm Load Center	
		Lowered	Extended		Without Load Backrest	With Standard Load Backrest	FWD	BWD	Cushion	Pneumatic	
			Without Load Backrest	With Standard Load Backrest							
			in mm	in mm							in mm
Wide Visible (V)	100 2540	67.7 1720	122.2 3104	147.8 3754	5.7 145	5.7 145	5	5	3000 1361	3000 1361	
	107.5 2731	71.7 1821	130.1 3305	155.7 3955	5.7 145	5.7 145	5	6.5	3000 1361	3000 1361	
	119.5 3035	77.6 1971	141.9 3604	167.5 4255	5.7 145	5.7 145	5	6.5	3000 1361	3000 1361	
	131.5 3340	83.5 2121	153.7 3904	179.3 4554	5.7 145	5.7 145	5	6.5	3000 1361	3000 1361	
	139 3531	87.4 2220	161.6 4105	187.2 4755	5.7 145	5.7 145	5	6.5	3000 1361	3000 1361	
	147 3734	93.7 2380	169.5 4305	195.1 4956	5.7 145	5.7 145	5	6.5	3000 1361	3000 1361	
	159 4039	101.2 2570	181.3 4605	206.9 5255	5.7 145	5.7 145	5	6.5	3000 1361	2870 1302	
	178.5 4534	111 2819	201 5105	226.6 5756	5.7 145	5.7 145	5	6.5	2800 1270	2700 1225	
Full-Free Lift 2-Stage (FV)	100 2540	67.7 1720	121.3 3081	147.8 3754	46.3 1176	19.7 500	5	5	3000 1361	3000 1361	
	107.5 2731	71.7 1821	129.1 3279	155.7 3955	50.2 1275	23.6 599	5	6.5	3000 1361	3000 1361	
	119.5 3035	77.6 1971	140.9 3579	167.5 4255	56.1 1425	29.5 749	5	6.5	3000 1361	3000 1361	
	131.5 3340	83.5 2121	152.8 3881	179.3 4554	62 1575	35.4 899	5	6.5	3000 1361	3000 1361	
	139 3531	87.4 2220	160.6 4079	187.2 4755	65.9 1674	39.4 1001	5	6.5	3000 1361	3000 1361	
	147 3734	93.7 2380	168.5 4280	195.1 4956	72.2 1834	45.7 1161	5	6.5	3000 1361	3000 1361	
	159 4039	101.2 2570	180.3 4580	206.9 5255	79.7 2024	53.1 1349	5	6.5	3000 1361	2870 1302	
Full-Free Lift 3-Stage (FSV)	147 3734	69.7 1770	168.3 4275	195.1 4956	47.4 1204	21.7 551	5	6.5	3000 1361	3000 1361	
	159 4039	73.6 1869	180.1 4575	206.9 5255	51.4 1306	25.6 650	5	6.5	3000 1361	2800 1270	
	170.5 4331	77.6 1971	191.9 4874	218.7 5555	55.3 1405	29.5 749	5	6.5	2900 1315	2800 1270	
	189 4801	83.5 2121	210.2 5339	237 6020	61.2 1554	35.4 899	5	6.5	2800 1270	2700 1225	
	198 5029	87.4 2220	219.5 5575	246.3 6256	65.2 1656	39.4 1001	5	6.5	2800 1270	2400 1089	
	218 5537	93.7 2380	239.2 6076	265.9 6754	71.5 1816	45.7 1161	5	6.5	2400 1089	1790 812	
	237.5 6033	101.2 2570	258.9 6576	285.6 7254	78.9 2004	53.1 1349	5	6.5	2000 907	1390 ^[1] 630^[1]	
QFV	240 6100	83.1 2110	261 6630	288.4 7325	62.4 1585	33.7 855	5	3	2200 997	1710 776	
	258 6600	89 2260	278.9 7085	306.5 7785	68.5 1740	39.6 1005	5	3	2100 952	1610 730	
	276 7000	95.1 2415	296.8 7540	324.4 8240	74.4 1890	45.7 1160	5	3	1600 725	1200 ^[1] 544^[1]	

Note: Height of standard load backrest is 48 in. 1220 mm

[1] All capacities of 1,500 lbs or less are subject to a secondary review and could be denied by Toyota.

7FBEU18

Mast Type	Maximum Fork Height (top of forks)	Overall Height				Free Lift		Tilt Range		Load Capacity @ 24 in. 600 mm Load Center	
		Lowered	Extended		Without Load Backrest	With Standard Load Backrest	FWD	BWD	Cushion	Pneumatic	
			Without Load Backrest	With Standard Load Backrest							
			in mm	in mm							in mm
Wide Visible (V)	100 2540	67.7 1720	122.2 3104	147.8 3754	5.7 145	5.7 145	5	5	3500 1587	3500 1587	
	107.5 2731	71.7 1821	130.1 3305	155.7 3955	5.7 145	5.7 145	5	6.5	3500 1587	3500 1587	
	119.5 3035	77.6 1971	141.9 3604	167.5 4255	5.7 145	5.7 145	5	6.5	3500 1587	3500 1587	
	131.5 3340	83.5 2121	153.7 3904	179.3 4554	5.7 145	5.7 145	5	6.5	3500 1587	3500 1587	
	139 3531	87.4 2220	161.6 4105	187.2 4755	5.7 145	5.7 145	5	6.5	3500 1587	3500 1587	
	147 3734	93.7 2380	169.5 4305	195.1 4956	5.7 145	5.7 145	5	6.5	3500 1587	3500 1587	
	159 4039	101.2 2570	181.3 4605	206.9 5255	5.7 145	5.7 145	5	6.5	3400 1542	3400 1542	
	178.5 4534	111 2819	201 5105	226.6 5756	5.7 145	5.7 145	5	6.5	3200 1451	3110 1411	
Full-Free Lift 2-Stage (FV)	100 2540	67.7 1720	121.3 3081	147.8 3754	46.3 1176	19.7 500	5	5	3500 1587	3500 1587	
	107.5 2731	71.7 1821	129.1 3279	155.7 3955	50.2 1275	23.6 599	5	6.5	3500 1587	3500 1587	
	119.5 3035	77.6 1971	140.9 3579	167.5 4255	56.1 1425	29.5 749	5	6.5	3500 1587	3500 1587	
	131.5 3340	83.5 2121	152.8 3881	179.3 4554	62 1575	35.4 899	5	6.5	3500 1587	3500 1587	
	139 3531	87.4 2220	160.6 4079	187.2 4755	65.9 1674	39.4 1001	5	6.5	3500 1587	3500 1587	
	147 3734	93.7 2380	168.5 4280	195.1 4956	72.2 1834	45.7 1161	5	6.5	3500 1587	3500 1587	
	159 4039	101.2 2570	180.3 4580	206.9 5255	79.7 2024	53.1 1349	5	6.5	3400 1542	3400 1542	
Full-Free Lift 3-Stage (FSV)	147 3734	69.7 1770	168.3 4275	195.1 4956	47.4 1204	21.7 551	5	6.5	3400 1542	3200 1451	
	159 4039	73.6 1869	180.1 4575	206.9 5255	51.4 1306	25.6 650	5	6.5	3300 1497	3200 1451	
	170.5 4331	77.6 1971	191.9 4874	218.7 5555	55.3 1405	29.5 749	5	6.5	3200 1451	3100 1406	
	189 4801	83.5 2121	210.2 5339	237 6020	61.2 1554	35.4 899	5	6.5	3100 1406	2800 1270	
	198 5029	87.4 2220	219.5 5575	246.3 6256	65.2 1656	39.4 1001	5	6.5	2900 1315	2580 1170	
	218 5537	93.7 2380	239.2 6076	265.9 6754	71.5 1816	45.7 1161	5	6.5	2580 1170	1870 848	
	237.5 6033	101.2 2570	258.9 6576	285.6 7254	78.9 2004	53.1 1349	5	6.5	2070 938	1480 ^[1] 671^[1]	
QFV	240 6100	83.1 2110	261 6630	288.4 7325	62.4 1585	33.7 855	5	3	2400 1088	1870 848	
	258 6600	89 2260	278.9 7085	306.5 7785	68.5 1740	39.6 1005	5	3	2300 1043	1780 807	
	276 7000	95.1 2415	296.8 7540	324.4 8240	74.4 1890	45.7 1160	5	3	1700 771	1300 ^[1] 589^[1]	

Note: Height of standard load backrest is 48 in. 1220 mm

[1] All capacities of 1,500 lbs or less are subject to a secondary review and could be denied by Toyota.

3,000 to 4,000 lbs. 1,361 to 1,814 kg • Mast Specifications

7FBEHU18

Mast Type	Maximum Fork Height (top of forks)	Overall Height				Free Lift		Tilt Range		Load Capacity @ 24 in. 600 mm Load Center	
		Lowered	Extended		Without Load Backrest	With Standard Load Backrest	FWD	BWD	Cushion		
			Without Load Backrest	With Standard Load Backrest					lb	kg	
			in mm	in mm					lb	kg	
Wide Visible (V)	100 2540	67.7 1720	122.2 3104	147.8 3754	5.7 145	5.7 145	5	5	3500 1587	3500 1587	
	107.5 2731	71.7 1821	130.1 3305	155.7 3955	5.7 145	5.7 145	5	6.5	3500 1587	3500 1587	
	119.5 3035	77.6 1971	141.9 3604	167.5 4255	5.7 145	5.7 145	5	6.5	3500 1587	3500 1587	
	131.5 3340	83.5 2121	153.7 3904	179.3 4554	5.7 145	5.7 145	5	6.5	3500 1587	3500 1587	
	139 3531	87.4 2220	161.6 4105	187.2 4755	5.7 145	5.7 145	5	6.5	3500 1587	3500 1587	
	147 3734	93.7 2380	169.5 4305	195.1 4956	5.7 145	5.7 145	5	6.5	3500 1587	3500 1587	
	159 4039	101.2 2570	181.3 4605	206.9 5255	5.7 145	5.7 145	5	6.5	3400 1542	3400 1542	
	178.5 4534	111 2819	201 5105	226.6 5756	5.7 145	5.7 145	5	6.5	3200 1451	3110 1411	
Full-Free Lift 2-Stage (FV)	100 2540	67.7 1720	121.3 3081	147.8 3754	46.3 1176	19.7 500	5	5	3500 1587	3500 1587	
	107.5 2731	71.7 1821	129.1 3279	155.7 3955	50.2 1275	23.6 599	5	6.5	3500 1587	3500 1587	
	119.5 3035	77.6 1971	140.9 3579	167.5 4255	56.1 1425	29.5 749	5	6.5	3500 1587	3500 1587	
	131.5 3340	83.5 2121	152.8 3881	179.3 4554	62 1575	35.4 899	5	6.5	3500 1587	3500 1587	
	139 3531	87.4 2220	160.6 4079	187.2 4755	65.9 1674	39.4 1001	5	6.5	3500 1587	3500 1587	
	147 3734	93.7 2380	168.5 4280	195.1 4956	72.2 1834	45.7 1161	5	6.5	3500 1587	3500 1587	
Full-Free Lift 3-Stage (FSV)	147 3734	69.7 1770	168.3 4275	195.1 4956	47.4 1204	21.7 551	5	6.5	3400 1542	3200 1451	
	159 4039	73.6 1869	180.1 4575	206.9 5255	51.4 1306	25.6 650	5	6.5	3300 1497	3200 1451	
	170.5 4331	77.6 1971	191.9 4874	218.7 5555	55.3 1405	29.5 749	5	6.5	3200 1451	3100 1406	
	189 4801	83.5 2121	210.2 5339	237 6020	61.2 1554	35.4 899	5	6.5	3100 1406	2800 1270	
	198 5029	87.4 2220	219.5 5575	246.3 6256	65.2 1656	39.4 1001	5	6.5	2900 1315	2580 1170	
	218 5537	93.7 2380	239.2 6076	265.9 6754	71.5 1816	45.7 1161	5	6.5	2580 1170	1870 848	
QFV	237.5 6033	101.2 2570	258.9 6576	285.6 7254	78.9 2004	53.1 1349	5	6.5	2070 939	1480 ⁽¹⁾ 671⁽¹⁾	
	240 6100	83.1 2110	261 6630	288.4 7325	62.4 1585	33.7 855	5	3	2400 1088	1870 849	
	258 6600	89 2260	278.9 7085	306.5 7785	68.5 1740	39.6 1005	5	3	2300 1043	1780 807	
	276 7000	95.1 2415	296.8 7540	324.4 8240	74.4 1890	45.7 1160	5	3	1700 771	1300 ⁽¹⁾ 589⁽¹⁾	

Note: Height of standard load backrest is 48 in. 1220 mm [1] All capacities of 1,500 lbs or less are subject to a secondary review and could be denied by Toyota.

7FBEU20

Mast Type	Maximum Fork Height (top of forks)	Overall Height				Free Lift		Tilt Range		Load Capacity @ 24 in. 600 mm Load Center	
		Lowered	Extended		Without Load Backrest	With Standard Load Backrest	FWD	BWD	Cushion		
			Without Load Backrest	With Standard Load Backrest					lb	kg	
			in mm	in mm					lb	kg	
Wide Visible (V)	100 2540	67.7 1720	122.2 3104	148 3759	5.7 145	5.7 145	5	5	4000 1814		
	108 2743	71.7 1821	130.1 3305	155.9 3960	5.7 145	5.7 145	5	6.5	4000 1814		
	119.5 3035	77.6 1971	141.9 3604	167.7 4260	5.7 145	5.7 145	5	6.5	4000 1814		
	131.5 3340	83.5 2121	153.7 3904	179.5 4559	5.7 145	5.7 145	5	6.5	4000 1814		
	139.5 3543	87.4 2220	161.6 4105	187.4 4760	5.7 145	5.7 145	5	6.5	4000 1814		
	147 3734	93.7 2380	169.5 4305	195.3 4961	5.7 145	5.7 145	5	6.5	4000 1814		
	159 4039	101.2 2570	181.3 4605	207.1 5260	5.7 145	5.7 145	5	6.5	4000 1814		
	178.5 4534	111 2819	201 5105	226.8 5761	5.7 145	5.7 145	5	6.5	3800 1724		
Full-Free Lift 2-Stage (FV)	100 2540	67.7 1720	121.3 3081	148 3759	46.5 1181	19.7 500	5	5	4000 1814		
	108 2743	71.7 1821	129.1 3279	155.9 3960	50.4 1280	23.6 599	5	6.5	4000 1814		
	119.5 3035	77.6 1971	140.9 3579	167.7 4260	56.3 1430	29.5 749	5	6.5	4000 1814		
	131.5 3340	83.5 2121	152.8 3881	179.5 4559	62.2 1580	35.4 899	5	6.5	4000 1814		
	139.5 3543	87.4 2220	160.6 4079	187.4 4760	66.1 1679	39.4 1001	5	6.5	4000 1814		
	147 3734	93.7 2380	168.5 4280	195.3 4961	72.4 1839	45.7 1161	5	6.5	4000 1814		
Full-Free Lift 3-Stage (FSV)	159 4039	101.2 2570	180.3 4580	207.1 5260	79.9 2029	53.1 1349	5	6.5	4000 1814		
	147 3734	69.7 1770	168.3 4275	195.3 4961	48.6 1234	21.7 551	5	6.5	3950 1792		
	159 4039	73.6 1869	180.1 4575	207.1 5260	52.6 1336	25.6 650	5	6.5	3900 1769		
	171 4343	77.6 1971	191.9 4874	218.9 5560	56.5 1435	29.5 749	5	6.5	3850 1746		
	189 4801	83.5 2121	210.2 5339	237.2 6025	62.4 1585	35.4 899	5	6.5	3750 1701		
	198.5 5042	87.4 2220	219.5 5575	246.5 6261	66.3 1684	39.4 1001	5	6.5	3500 1588		
QFV	218 5537	93.7 2380	239.2 6076	266.1 6759	72.6 1844	45.7 1161	5	6.5	3300 1497		
	238 6045	101.2 2570	258.9 6576	285.8 7259	80.1 2035	53.1 1349	5	6.5	2550 1157		
	240 6100	83.1 2110	261 6630	288.4 7325	62.4 1585	33.7 855	5	3	2800 1270		
	258 6600	89 2260	278.9 7085	306.5 7785	68.5 1740	39.6 1005	5	3	2550 1156		
	276 7000	95.1 2415	296.8 7540	324.4 8240	74.4 1890	45.7 1160	5	3	1850 839		

Note: Height of standard load backrest is 48 in. 1220 mm



ISO 14001

TOYOTA CANADA INC.

March 2009

7FBEU-150ES-25



**7-SERIES ELECTRIC
CUSHION & PNEUMATIC TIRE
7FBEU**

3,000 to 4,000 lbs. • 1,361 to 1,814 kg.

S P E C I F I C A T I O N S

