

# Bobcat Mini Track Loaders

## Performance

	MT55	MT85
Rated Operating Capacity	550 lb. (249 kg)	850 lb. (385 kg)
Tipping Load	1,610 lb. (732 kg)	2,458 lb. (1115 kg)
Hydraulic Pump Capacity	12 gpm (45.4 L/min.)	12 gpm (45.4 L/min.)
Travel Speed (forward)	3.5 mph (5.6 km/hr.)	4.0 mph (6.4 km/hr.)
Travel Speed (reverse)	1.5 mph (2.3 km/hr.)	2.9 mph (4.7 km/hr.)
Operating Weight (with bucket)	2,610 lb. (1186 kg)	3,110 lb. (1410 kg)
Ground Pressure	4.9 psi	4.9 psi
Ground Pressure (with wide tracks)	3.5 psi	3.5 psi

## Dimensions

	MT55	MT85
Length (without bucket)	72.4 in. (1839 mm)	84.5 in. (2146 mm)
Width (with bucket)	36.0 in. (914 mm)	36.0 in. (914 mm)
Height	49.1 in. (1246 mm)	54.8 in. (1392 mm)
Height to Bucket Pin	71.2 in. (1807 mm)	80.9 in. (2056 mm)

## Engine

	MT55	MT85
Model/Emissions Tier (EPA)	D902 E3B/Tier 4	D902 E3B/Tier 4
Fuel/Cooling	Diesel/Liquid	Diesel/Liquid
Cylinders	3	3
HP/Displacement	25 hp (18.6 kW)/ 54.9 cu. in. (0.9 L)	25 hp (18.6 kW)/ 54.9 cu. in. (0.9 L)
Fuel Tank Capacity	7.0 gal. (26.5 L)	7.0 gal. (26.5 L)

## Operation

	MT55	MT85
Steering and Drive	One-hand drive/steering control	ISO joystick
Lift and Tilt	One-lever raise/lower/dump/ rollback control	ISO joystick
Transmission	Hydrostatic track drive system	Hydrostatic track drive system
Attachment	Single lever with dual direction detent	Single lever with dual direction detent

## Machine Features and Options

	MT55	MT85
Auxiliary Hydraulics	Std	Std
Choice of Attachment Mounting System	Bob-Tach mounting system or common industry interface (CII) system	Bob-Tach mounting system or common industry interface (CII) system
Continuous Flow Shutoff Lever	Std	Std
Gauges/Warning Lights	Std	Std
Hydrostatic Drive Train	Std	Std
Lift Arm Lockout with Manual Bypass	Std	Std
Lift Arm Support	Std	Std
Lift Hook Locations	Std	Std
Liquid-Cooled Diesel Engine	Std	Std
Neutral Start Interlocks	Std	Std
Parking Brake	Std	Std
Reverse Stop Panel	Std	-
Spark Arrestor Muffler	Std	Std
Tie-Down Locations	Std	Std
Tilt Lockout	Std	Std
Tilt Steering	Std	Std
Track (7 in. wide)	Std	Std
Attachment Mounting System Conversion Kit (convert from CII to Bob-Tach system)	Opt	Opt
Attachment Control Kit	Opt	Opt
Catalytic Exhaust Purifier	Opt	Opt
Engine Block Heater	Opt	Opt
Light Kit	Opt	Opt
Multi-Bar Lug Track	Opt	-
Non-Marking Tracks	Opt	-
Ride-On Platform	Opt	Std
Shutdown Kit	Opt	Opt
Case Drain Kit	Opt	Opt
Track (10 in. wide)	Opt	Opt

## Perfect for Rental Fleets

With their job-proven technology, easy maintenance, simple controls and impressive performance, Bobcat mini track loaders are perfect for rental applications. Mini track loaders have a smaller, less-intimidating profile than some of our other machines. Plus, they have easy-to-use controls and impressive rated operating capacities of 850 or 550 pounds.

## Incredible Versatility

Bobcat mini track loaders aren't just for lifting heavy loads. They're made to run hydraulic attachments as productively as some of our skid-steer loader models.

## Attachment Flexibility

Both the MT55 and MT85 are available with our industry-leading Bob-Tach attachment mounting system. You can also choose the Common Industry Interface to utilize your existing mini track loader attachments.

## Parts and Service Backup

With every Bobcat product, you get the support of a worldwide network of dealers offering industry-leading attachments, accessories and parts availability. Their factory-trained technicians are equipped to handle all your parts and service requirements, including engine and hydrostatic/hydraulic components.

## Unbeatable Bobcat Warranty

The best equipment carries the best warranty! The MT55 and MT85 mini track loaders come with a full one-year warranty with unlimited hours.

## Operator Training

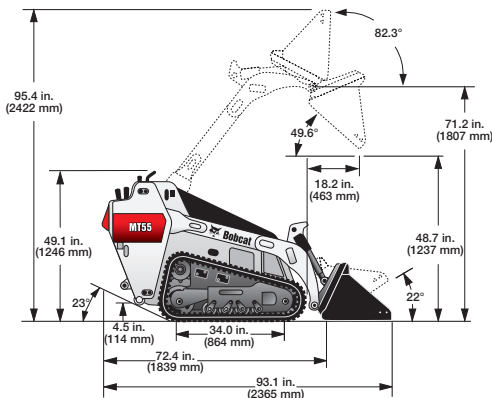
An operator safety video is available.

\*Certain specification(s) are based on engineering calculations and are not actual measurements. Specification(s) are provided for comparison purposes only and are subject to change without notice. Specification(s) for your individual Bobcat equipment will vary based on normal variations in design, manufacturing, operating conditions, and other factors.

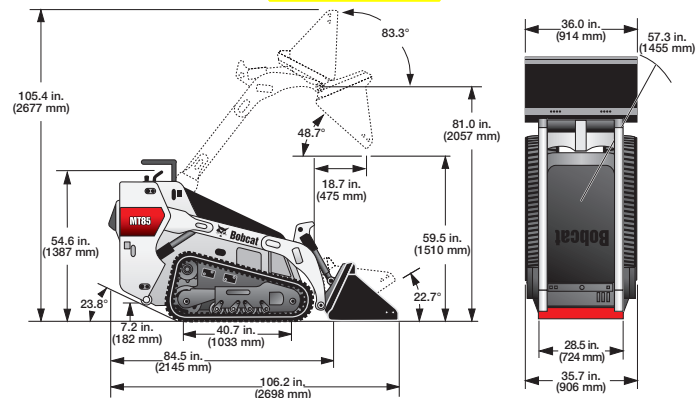
NOTE - Where applicable, dimensions are in accordance with ISO standards. Specifications and design are subject to change without notice. Pictures of Bobcat units may show other than standard equipment. All dimensions are given for loader equipment with standard tracks. All dimensions are shown in inches. Respective metric dimensions are enclosed by parentheses. Bobcat Company complies with the requirements of ISO 9001 as registered with BSI.

Bobcat®, the Bobcat logo and the colors of the Bobcat machine are registered trademarks of Bobcat Company in the United States and various other countries.  
©2016 Bobcat Company. All rights reserved.

MT55 Dimensions:



MT85 Dimensions:



Printed on 10% recycled paper

B-1776 (10/16)



**Bobcat**

Bobcat Company • P.O. Box 6000 • West Fargo, ND 58078

Printed in U.S.A.

Kn-15M-1016-52314-01-F