

315F L

Hydraulic Excavator



Engine

Engine Model	Cat® C4.4 ACERT™	
Net Power – SAE J1349	72 kW	97 hp

Drive

Maximum Travel Speed	5.4 km/h	3.4 mph
Maximum Drawbar Pull	113 kN	25,400 lbf

Weight

Minimum Operating Weight	15 040 kg	33,160 lb
Maximum Operating Weight	16 480 kg	36,340 lb

315F L Hydraulic Excavator Specifications

Engine

Engine Model	Cat C4.4 ACERT	
Gross Power – SAE J1995	74 kW	100 hp
Net Power – SAE J1349	72 kW	97 hp
Bore	105 mm	4.1 in
Stroke	127 mm	5.0 in
Displacement	4.4 L	270 in ³

Weight

Minimum Operating Weight*	15 040 kg	33,160 lb
Maximum Operating Weight**	16 480 kg	36,340 lb
*4.65 m (15'3") reach boom, 2.8 m (9'2") stick, 500 mm (20") shoes, no blade		
**2.13 m (6'11") power offset boom, 2.8 m (9'2") stick, 700 mm (28") shoes, blade		

Hydraulic System

Main System – Maximum Flow (Total)	256 L/min	68 gal/min
Swing System – Maximum Flow	120 L/min	32 gal/min
Maximum Pressure – Equipment	30 500 kPa	4,420 psi
Maximum Pressure – Power Offset Boom (optional)	29 900 kPa	4,340 psi
Maximum Pressure – Travel	35 000 kPa	5,080 psi
Maximum Pressure – Swing	23 000 kPa	3,340 psi
Pilot System – Maximum Flow	21.9 L/min	4.8 gal/min
Pilot System – Maximum Pressure	4120 kPa	600 psi
Boom Cylinder – Bore	110 mm	4.3 in
Boom Cylinder – Stroke	1000 mm	39.4 in
Stick Cylinder – Bore	120 mm	4.7 in
Stick Cylinder – Stroke	1197 mm	47.1 in
Bucket Cylinder – Bore	100 mm	3.9 in
Bucket Cylinder – Stroke	939 mm	37.0 in

Drive

Maximum Travel Speed	5.5 km/h	3.4 mph
Maximum Drawbar Pull	113 kN	25,400 lbf

Swing Mechanism

Swing Speed	11 rpm
Swing Torque	30.9 kN·m 22,790 lbf-ft

Service Refill Capacities

Fuel Tank Capacity	178 L	47 gal
DEF Tank Capacity	19 L	5 gal
Cooling System	28 L	7.4 gal
Engine Oil (with filter)	13.5 L	3.6 gal
Swing Drive (each)	2.4 L	0.6 gal
Final Drive (each)	3 L	0.8 gal
Hydraulic System (including tank)	160 L	42.3 gal
Hydraulic Tank	84 L	22.2 gal

Track

Long Undercarriage	
Number of Shoes (each side)	46 pieces
Number of Track Rollers (each side)	7 pieces
Number of Carrier Rollers (each side)	2 pieces

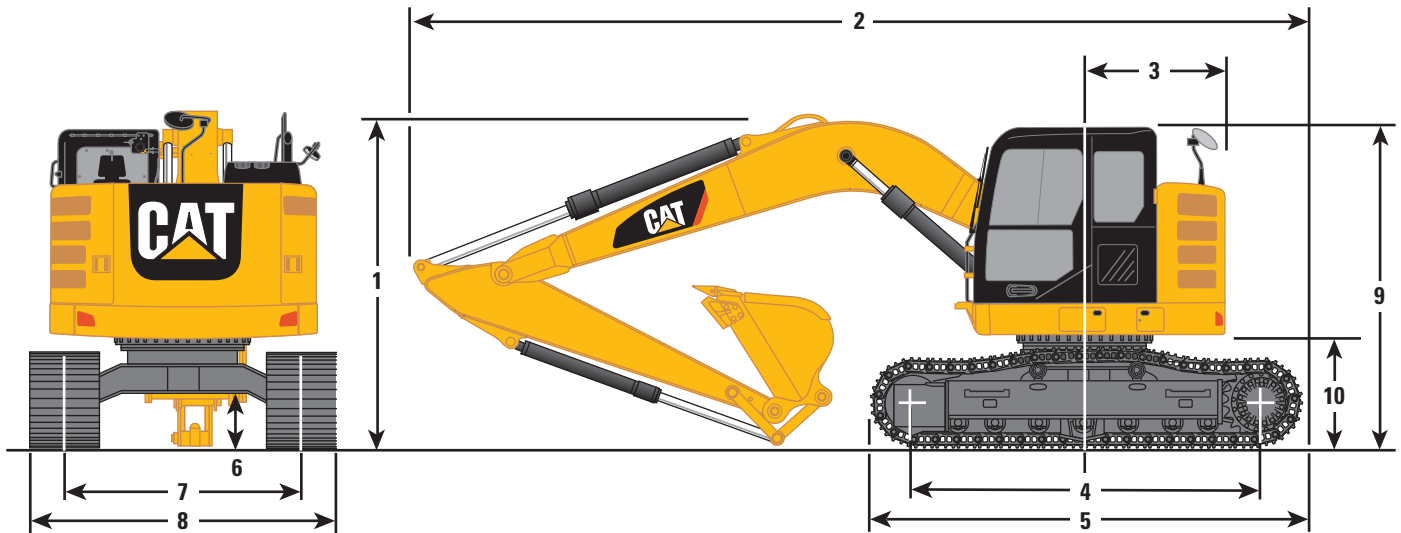
Sound Performance

ISO 6396	
Operator Noise (Closed)	69 dB(A)
ISO 6395	
Spectator Noise	101 dB(A)

315F L Hydraulic Excavator Specifications

Dimensions

All dimensions are approximate.



Boom Type	Reach Boom 4.65 m (15'3")				Power Offset Boom	
	R3.0 m (9'10")		R2.8 m (9'2")		2.13 m (6'11")	
Stick Size	R3.0 m (9'10")		R2.8 m (9'2")		2.13 m (6'11")	
1 Shipping Height*	3000 mm	9'10"	3030 mm	9'11"	3000 mm	9'10"
Shipping Height at Boom Top	2750 mm	9'0"	3030 mm	9'11"	2780 mm	9'1"
Shipping Height with Guard Rail	3000 mm	9'10"	3000 mm	9'10"	3000 mm	9'10"
Shipping Height with Top Guard	2950 mm	9'8"	2950 mm	9'8"	2950 mm	9'8"
2 Shipping Length						
Long Undercarriage	7450 mm	24'5"	7440 mm	24'5"	7560 mm	24'10"
Long Undercarriage with Blade	8010 mm	26'3"	8010 mm	26'3"	8120 mm	26'8"
3 Tail Swing Radius						
Heavy Counterweight	1530 mm	5'0"	1530 mm	5'0"	1530 mm	5'0"
4 Length to Center of Rollers	3040 mm	10'0"	3040 mm	10'0"	3040 mm	10'0"
5 Track Length	3750 mm	12'4"	3750 mm	12'4"	3750 mm	12'4"
6 Ground Clearance	440 mm	1'5"	440 mm	1'5"	440 mm	1'5"
7 Track Gauge	1990 mm	6'6"	1990 mm	6'6"	1990 mm	6'6"
8 Transport Width						
500 mm (20") Shoes	2490 mm	8'2"	2490 mm	8'2"	2490 mm	8'2"
600 mm (24") Shoes	2590 mm	8'6"	2590 mm	8'6"	2590 mm	8'6"
700 mm (28") Shoes	2690 mm	8'10"	2690 mm	8'10"	2690 mm	8'10"
9 Cab Height	2810 mm	9'3"	2810 mm	9'3"	2810 mm	9'3"
Cab Height with Top Guard	2950 mm	9'8"	2950 mm	9'8"	2950 mm	9'8"
10 Counterweight Clearance**	860 mm	2'10"	860 mm	2'10"	860 mm	2'10"

*Including shoe lug height.

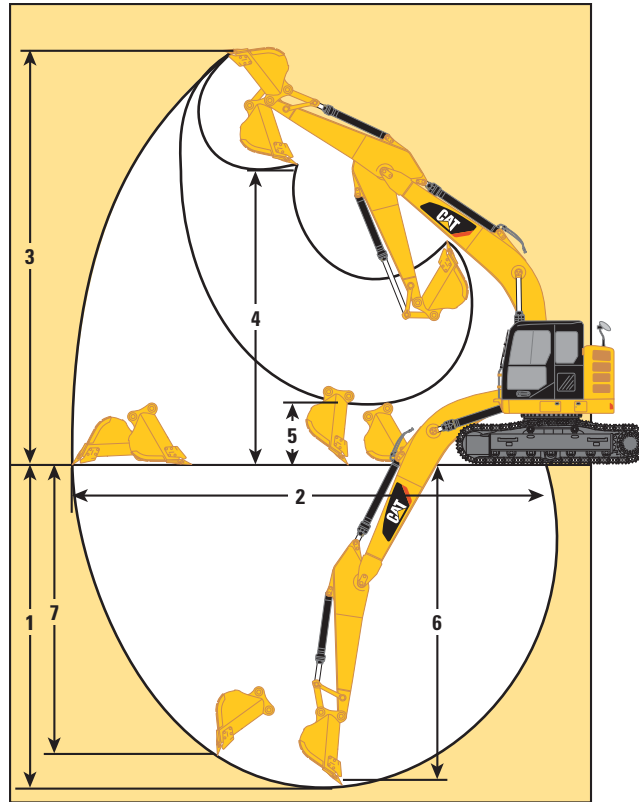
**Without shoe lug height.

All dimensions were calculated with 900 mm (35") wide GD bucket with 0.53 m³ (0.69 yd³) capacity and 1200 mm (3'11") tip radius.

315F L Hydraulic Excavator Specifications

Working Ranges

All dimensions are approximate.



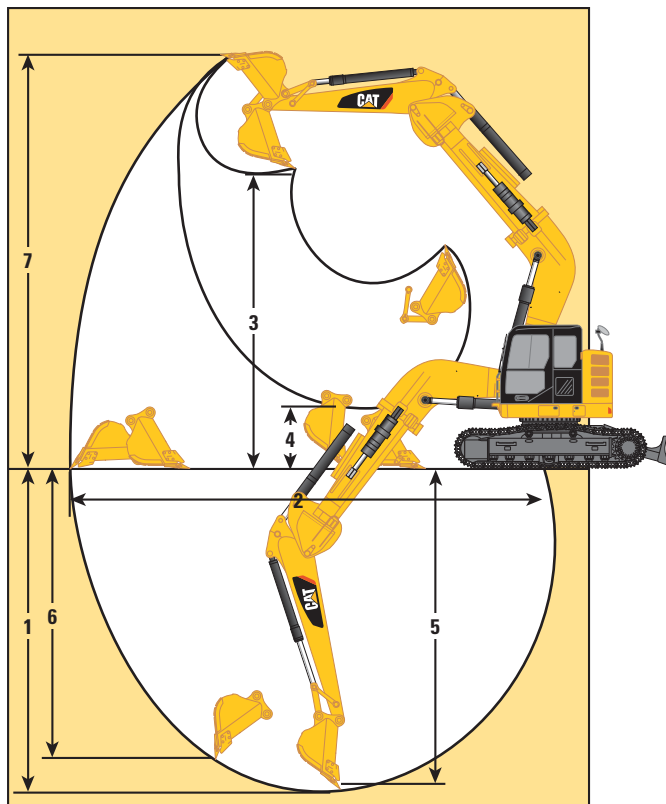
Boom Type	Reach Boom 4.65 m (15'3")			
	R3.0 m (9'10")		R2.8 m (9'2")	
Stick Size				
1 Maximum Digging Depth	5950 mm	19'6"	5750 mm	18'10"
2 Maximum Reach at Ground Level	8680 mm	28'6"	8490 mm	27'10"
3 Maximum Cutting Height	9640 mm	31'8"	9480 mm	31'1"
4 Maximum Loading Height	7190 mm	23'7"	7030 mm	23'1"
5 Minimum Loading Height	2060 mm	6'9"	2240 mm	7'4"
6 Maximum Depth Cut for 2440 mm (8'0") Level Bottom	5660 mm	18'7"	5460 mm	17'11"
7 Maximum Vertical Wall Digging Depth	5280 mm	17'4"	5090 mm	16'8"

All dimensions were calculated with 900 mm (35") wide GD bucket with 0.53 m³ (0.69 yd³) capacity and 1200 mm (3'11") tip radius.

315F L Hydraulic Excavator Specifications

Working Ranges

All dimensions are approximate.



Boom Type Stick Size	Power Offset Boom					
	2.13 m (6'11")*		2.13 m (6'11")		2.13 m (6'11")**	
1 Maximum Digging Depth	4510 mm	14'10"	4840 mm	15'11"	4480 mm	14'8"
2 Maximum Reach at Ground Level	6890 mm	22'7"	7270 mm	23'10"	6850 mm	22'6"
3 Maximum Cutting Height	8110 mm	26'7"	8450 mm	27'9"	8070 mm	26'7"
4 Maximum Loading Height	5680 mm	18'8"	6020 mm	19'9"	5640 mm	18'6"
5 Minimum Loading Height	2330 mm	7'8"	2680 mm	8'10"	2290 mm	7'6"
6 Maximum Depth Cut for 2440 mm (8'0") Level Bottom	4110 mm	13'6"	4450 mm	14'7"	4080 mm	13'5"
7 Maximum Vertical Wall Digging Depth	3270 mm	10'9"	3550 mm	11'8"	3240 mm	10'8"

*Left side 1100 mm (3'7") offset position

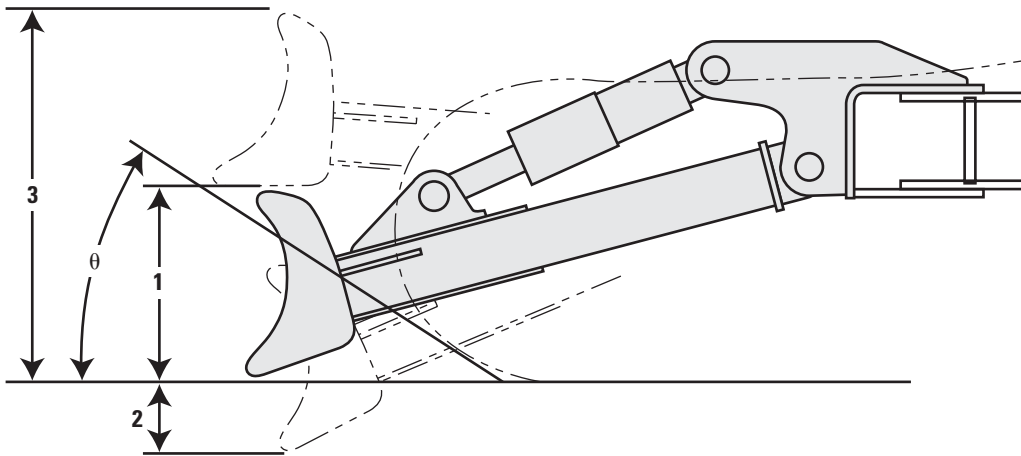
**Right side 1150 mm (3'9") offset position

All dimensions were calculated with 900 mm (35") wide GD bucket with 0.53 m³ (0.69 yd³) capacity and 1200 mm (3'11") tip radius.

315F L Hydraulic Excavator Specifications

Blade Working Ranges

All dimensions are approximate.



Blade Options	2500 mm (8'2")		2600 mm (8'6")		2700 mm (8'10")	
Recommended Track Shoe Width	500 mm (20")		600 mm (24")		700 mm (28")	
1 Blade Height	630 mm	2'1"	630 mm	2'1"	630 mm	2'1"
2 Maximum Lowering Depth from Ground	570 mm	1'10"	570 mm	1'10"	570 mm	1'10"
3 Maximum Raising Height above Ground	1000 mm	3'3"	1000 mm	3'3"	1000 mm	3'3"
θ Approach Angle	24.9 degrees		24.9 degrees		24.9 degrees	