

SAE Net Horsepower: 177 HP (132 kW)
Operating Weight: 56,900 lbs. (25 800 kg)
Digging Depth: 22 ft 8 in (6.90 m)

250x4



Link-Belt
EXCAVATORS

CONCRETE
CUTTING
&



PERFORMANCE, PRODUCTIVITY AND RELIABILITY COME STANDARD

Link-Belt X4 Series excavators are built to exceed your expectations. We redesigned the control spools and incorporated spool stroke control (SSC) functions into the hydraulic system to reduce pressure loss and distribute hydraulic oil more smoothly, decreasing cycle times by up to 7%. Expect more power and fuel efficiency, thanks to an innovative Final Tier 4 engine that delivers up to 9% improved fuel consumption, **without a Diesel Particulate Filter (DPF) to maintain or replace!** Settle in to the roomiest, most accommodating cab in its class, with more legroom and a new high-back, heated seat for shift-long comfort. Daily maintenance is a snap, with ground-level access to all service points, easily opened by hand.



INNOVATION AND ATTENTION TO DETAILS AT EVERY LEVEL



- Three power modes (Speed Priority, Heavy and Applied Power) let you **choose the best blend of power, precision and fuel savings** for the work you're doing



- EPA Final Tier 4 engine is **fuel efficient without sacrificing power**



- **No DPF** to ever worry about!
- 2-3% DEF (Diesel Exhaust Fluid) consumption rate relative to fuel consumption, combined with one of the largest DEF tank capacities lets you work long hours between refills



- Ground level access to routine service points lets you **cut daily maintenance down to just minutes**



- Quiet, pressurized cab offers **excellent visibility and comfortable, best-in-class seating**
- Enough floor space to **accommodate the largest of work boots**, with cup holders and roomy storage compartments for cell phones, snacks and other personal items



- Dual cab working lights are standard, or choose optional LEDs for **added visibility**

- Ergonomic joysticks **fit your hand perfectly**



- 7" high-definition LCD monitor **keeps you connected to your machine and work environment**



- RemoteCARE[®] telematics **keeps a watchful eye** on performance, maintenance intervals and theft deterrence



- Full-time, rear-view camera display is standard; add the WAVES[™] option for a **seamless 270° view around the machine**



- Structural improvements to the boom and arm **reduce stress and provide greater durability**



- Robust undercarriage features **larger track rollers and thicker plating for longer life**
- Unique side-frame design **reduces dirt accumulation** and is **easier to clean**



**All improvements and percentage increases are in reference to Link-Belt X3 Series excavators, unless otherwise stated*

**QUICK AND RESPONSIVE
TO TAKE ON TOUGH CHALLENGES**



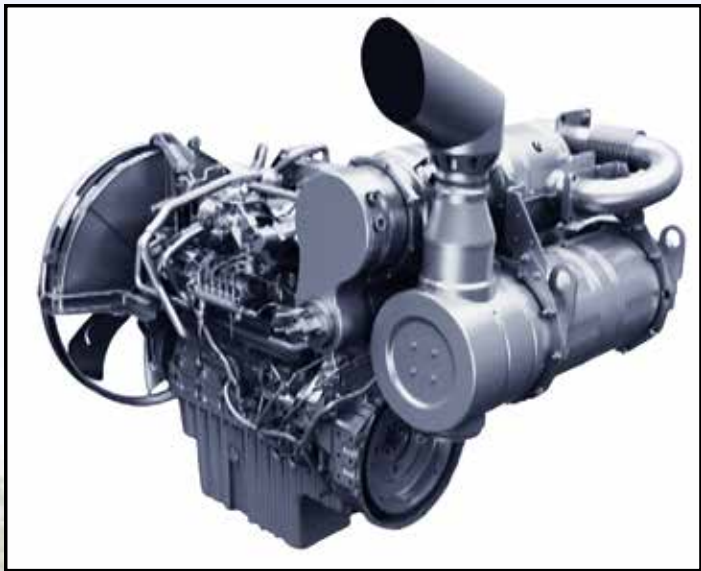
Greater digging power and increased lift capacities are the result of our innovative Spool Stroke Control (SSC) system, which reduces pressure loss and distributes hydraulic oil more smoothly. Pilot pressure sensors detect the type of work being done—such as digging or leveling—and then relays that data to proportional solenoid valves that quickly determine where optimal hydraulic pressures should be directed for that operation.

Two electronically-controlled Kawasaki variable-displacement axial-piston pumps and one Kawasaki gear pump assure that hydraulic power is delivered precisely when and where it's needed. At the same time, hydraulic flows in noncritical areas of the system are reduced.

The result is better breakout force, more lifting strength and faster machine response. You'll dig, swing and dump quicker than ever before... with up to 7% faster cycle times and improved fuel efficiency!

- Proprietary hydraulic system
- New control valve with larger ports; less restriction means improved hydraulic flow for increased performance
- Electronically-controlled pumps for improved cycle times, quicker response and more efficient machine operation
- Move more dirt per gallon of fuel





The X4 Series features innovative EPA-certified Final Tier 4 engines from Isuzu that strike the ultimate balance between power, productivity and fuel efficiency. You'll experience up to 5% improved fuel efficiency, without having to worry about costly diesel particulate filters (DPF) to maintain or replace. Three engine modes provide reliable power and control for any machine application. Choose Speed Priority (SP mode) to get jobs done quickly, Heavy (H mode) for the best blend of power and fuel savings or Applied Power (A mode), with 13 different RPM settings for precise control of heavy lifting, fine grading or leveling work.

- EPA-certified Tier 4 Final
- No DPF to maintain
- Up to 9% improved fuel economy
- 500-hr. fuel filters service intervals
- 10 diesel tank refills per 1 diesel exhaust fluid (DEF) refill
- 2-3% DEF consumption rate relative to fuel consumption
- Two-stage DEF anti-freeze system for protection in harsh operating conditions
- 30 hrs. between SCR regenerations, only takes 5-8 minutes to complete!
- VGT (Variable Geometry Turbocharger)
- Standard air pre-cleaner for improved air filtration



POWER AND EFFICIENCY WITHOUT COMPROMISE





The X4 Series offers one of the most advanced and roomiest cabs in its class. Comfortable, automotive-grade high-back seat with head rest provides superior lumbar back support. With a longer and wider seating surface, it reclines to a 155° maximum reclining angle to create a relaxed environment during breaks. Air-suspension seat is standard with tilting adjustment and seat heaters available as options.

The cab layout also includes ergonomically-designed arm rests that move with console, maintaining a constant distance between joysticks and arm rests no matter how the seat is adjusted.

- Quiet, pressurized cab
- Joysticks with easy-to-hold grip and switches
- Convenient 'radio mute' and one touch wiper switch
- Optional proportional joysticks w/auxiliary hydraulics control
- Cup holder and storage areas for cell phones and other small items
- Dual halogen cab lights standard
- Full time rear camera display
- Optional RH & LH side cameras
- ROPS and FOPS Level 1 certified, optional FOPS Level 2 head guard available
- Optional LED lights use less energy and are 3X brighter!
- Optional retractable rear window shade
- Optional front sun visor
- Improved radio with USB port and Bluetooth for hands-free communication.
- Free swing standard





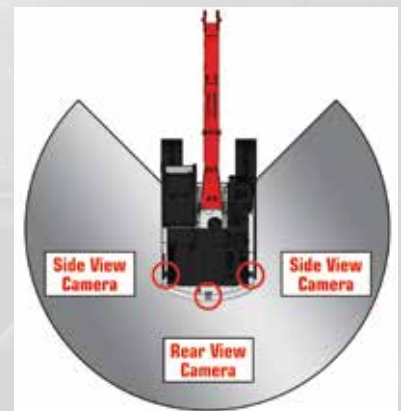
High-Definition LCD monitor has a full-color 7" display that rivals the resolution found in luxury automobiles. Controls are easy to read and easy to use. The rear-view camera activates automatically whenever the machine is started, and sight guidelines have been added for increased safety.

- Anti-glare coating on screen
- Track up to 14 service maintenance reminders
- System/machine warning messages
- Monitor SCR auto regeneration
- Select and set up attachments: 5 presets for breakers; 5 presets for crushers
- In-cab flow and pressure controls for auxiliary hydraulics
- Anti-theft system
- Auto-adjusts for time and calendar
- 24 languages available
- Ability to view fuel consumption

270° **WAVES**™

WIDE-ANGLE VISUAL ENHANCEMENT SYSTEM

For the ultimate in visibility, X4 machines can be fitted with the Wide Angle Visual Enhancement System - or WAVES for short. Using three closed-circuit cameras, this optional viewing system provides an unbelievable 270° visual coverage around the machine, eliminating any potential blind spots from the operator's line of sight. WAVES images can be displayed on the standard X4 monitor.





GET WORKING FAST WITH EASY ACCESS TO SERVICE POINTS

Maintenance is a snap, with ground level access to all routine service points, including batteries, fuel filters, engine oil filter, dual-element air filter and cab fresh air filter.

- Radiator screens are easy to remove and clean from ground level...no tools needed!
- A/C Condenser tilts for easy cleaning and maintenance
- Easy battery compartment access; 2 hand-turn knobs
- Improved battery disconnect switch with no keys needed
- Convenient ground-level sample ports in pump compartment
- Green drain plug and hose
- More data collection points
- Automatic door locking mechanism on side door
- Quick and easy access to grease all attachment pivot points
- Grease cylinder track adjusters make adjusting track tension a breeze
- New undercarriage side frame design enables easier cleaning
- In-cab reminders track 14 different maintenance procedures



TELEMATICS WITH NO SUBSCRIPTION FEE

RemoteCARE® lets you remotely monitor and track machine location, operational performance, working status and periodic maintenance requirements - now at no cost to you. It tracks and records both routine and major service intervals for your machines, giving you more flexibility and control when scheduling maintenance procedures. It also lets you be more proactive if potential failure conditions arise; whenever a diagnostic trouble code (DTC) is detected, a warning message appears on the machine display, and an e-mail alert is automatically sent to you. RemoteCARE also assists in theft prevention by offering 24/7 surveillance and geofencing capabilities.

FREE Subscription Includes:

- ✓ 24/7 Remote Monitoring and Security
- ✓ Machine Location
- ✓ Geo-fence & Curfew Range
- ✓ Actual Fuel Consumption
- ✓ Fuel Levels
- ✓ Hour Meter Reading
- ✓ Radiator Water Temperature
- ✓ Machine Working Time/Idle Time
- ✓ Attachment Working Hours
- ✓ Working Modes
- ✓ Service Maintenance Reminders
- ✓ Service Warnings



REMOTE CARE® APP

Manage your Link-Belt equipment with this user friendly telematics management tool with GPS technology. The RemoteCARE App provides timely and reliable machine utilization – as well as assisting in DTC notifications. With RemoteCARE you will be able to remotely monitor and track your machine's location, operational performance, and working status. Contact your local Link-Belt dealer for questions.

App features include...

- Machine location
- Fuel consumption
- Utilization report
- Fuel efficiency
- Analytical snapshots
- Idle rate
- DTC notification history
- Favorite list

Download Apple or Android app at lbxco.com/apps for phone and tablet.



BUILT STRONG TO HANDLE ANYTHING

X4 machines are more rugged and durable, with robust structural improvements to the boom & arm structures, along with improvements to lower frame and travel components.



Boom & Arm

- Improved boss shapes reduce stress on boom and arm pin
- Cast boom tip for increased reliability



Lowers

- Thicker travel motor case - 32% increase
- 37% longer idler shoulder and hub
- Unique side-frame design reduces dirt accumulation and is easier to clean.
- Track roller diameter increased by 7%



CUSTOMER SUPPORT IS JUST A CALL AWAY

A network of Link-Belt Excavator dealers across the U.S. and Canada is waiting to serve you. Expect fast and dependable service, backed by 24/7 access to parts.

Exceptional Warranty Coverage

All X4 excavators purchased after July 1, 2020 are backed by a 5-year/5,000-hour Full Machine Warranty, 5-year/10,000-hour Structural Warranty, along with participation in the X4 Fluid Analysis Program for the duration of the warranty (free with all X4 machines). Extended warranty coverage packages are also available.

Contact your dealer for complete details.



SPECIFICATIONS



Engine

Isuzu AQ-4HK1X Final Tier 4 turbocharged diesel engine with electronic control (ECM) and high pressure common-rail fuel injection, 4-cylinder, water-cooled, Cooled Exhaust Gas Recirculation (CEGR), Intercooler, Variable-Geometry Turbocharger (VGT), Diesel Oxidation Catalyst (DOC) and Selective Catalytic Reduction (SCR) system with Dosing Control Module and heated DEF lines and tank. Electronic fuel pump and priming, Fuel cooler, Auto-idle start, Auto warm-up, EPF engine protection, dual-stage fuel filtration, remote oil filter, engine oil sample port, green plug oil drain, double element air filter.

SAE J 1349 net horsepower.....	177 hp (132 kW) @ 2,000 rpm
Displacement	317 cu in (5.2 L)
Maximum Torque.....	458 lbf-ft (621 Nm) @ 1,800 rpm
Starter	24V-5.0kW
Alternator.....	50 amp
Battery.....	(2) 12-volt 92 amp hours



Cab and Controls

ROPS and FOPS Level 1 certified with automatic climate control A/C and heat with defroster, 7" LCD Hi-Definition color monitor with full time rear view camera display, fuel efficiency gauge, low-effort joysticks are pre-wired for auxiliary hydraulics, dual cab lights, control pattern changer, safety glass windows, sunroof with sunshade, shockless cab suspension with four fluid cab mounts, SCM High-Back reclining air-suspension seat, sliding 4-position tilting control consoles, Bluetooth technology, AM/FM sound system with USB and MP3 auxiliary input jack, digital clock, dome light, seat belt, coat hook, cup holder, storage compartments, floor mat, footrests, ashtray, 24V cigarette lighter, 12V outlet, travel alarm, handrails, mirrors, side-entry cab filter, spare parts kit.

Three selectable work modes, RemoteCARE Telematics GPS system, anti-theft password protection system, onboard self-diagnostic system with memory and service interval reminders, auto idling system, one-touch decelerator, auto-idle engine shutdown, auto-power boost, neutral safety start, gate-lock safety shutoff.



Hydraulic System

Open-center system, two variable-displacement electronically controlled axial-piston pumps and one gear pump for pilot controls, main control valve with one 4-spool section and one 5-spool section with auxiliary spool: stackable, Auxiliary Control System, oil cooler, Auto-Power boost, anti-drift valves, 6 micron return filter, firewall, hydraulic oil sample port.

Hydraulic Pumps

Pump Output.....	2 x 61.8 gpm (234 L/min)
Pilot Pump Maximum Flow.....	5.3 gpm (20 L/min)

Relief Valve Settings

Boom/Arm/Bucket.....	4,970 psi (34.3 MPa)
in Power Boost	5,410 psi (37.3 MPa)
Swing Circuit	4,190 psi (28.9 MPa)
Travel Circuit	4,970 psi (34.3 MPa)

Hydraulic Cylinders

	number of cylinders - bore x rod x stroke
Boom.....	2 - 5.1" x 3.5" x 52.6" (130 mm x 90 mm x 1,335 mm)
Arm	1 - 5.7" x 4.1" x 65.4" (145 mm x 105 mm x 1,660 mm)
Bucket.....	5.1" x 3.5" x 42.1" (130 mm x 90 mm x 1,070 mm)



Swing

Planetary reduction powered by axial-piston motor, Internal ring gear with grease cavity for swing pinion, Swing bearing is single-row, shear type ball bearing, Mechanical disc swing brake, Auto-power swing.

Swing Speed	10.6 rpm
Tail Swing	9' 8" (2.95 m)
Swing Torque	55,300 lbf-ft (74.9 kNm)

Undercarriage

X Pattern carbody with 15' 3" (4.65 m) LC long undercarriage by 8' 6" (2.59 m) track gauge, Sealed and strutted track chain with track guide, Sealed rollers and idlers, Two-speed independent hydrostatic travel with compact planetary final drive, Disc type brakes, Adjustable track tension, Carbody belly pan.

Carrier Rollers	2 per Side
Track Rollers	9 per Side
Track Link Pitch	7.48" (190 mm)
Shoes	51 per Side
Shoe Width.....	31.5" (800 mm)
Ground Pressure.....	5.51 psi (0.038 MPa)



Travel System

Two-speed independent hydrostatic travel with compact axial-piston motors, Hydraulic motor powered output shaft coupled to a planetary reduction drive and track sprocket, All hydraulic components mounted within the width of side frame, Automatic downshift for high torque to overcome obstacles, Spring-applied hydraulic release parking brake built into each motor, Travel motors equipped with counterbalance valve to prevent over-speeding down an incline, Single-pedal straight line travel.

Travel Speeds	2.2 - 3.4 mph (3.5 - 5.5 km/h)
Drawbar Pull.....	44,962 lbf (200 kN)
Gradeability	70% (35°)



Attachment

Boom	19' 2" (5.85 m)
Available Arms	Digging Force
• 9' 10" (3.00 m)	26,980 lbf (120 kN)
with Auto Power Boost	29,230 lbf (130 kN)
• 8' 2" (2.50 m)	31,700 lbf (141 kN)
with Auto Power Boost	34,400 lbf (153 kN)
• 11' 6" (3.52 m)	24,050 lbf (107 kN)
with Auto Power Boost	26,080 lbf (116 kN)
• Bucket Digging Force	36,420 lbf (162 kN)
with Auto Power Boost	39,570 lbf (176 kN)



Lubricant & Coolant Capacity

Fuel Tank	108 Gallons (410.0 Liters)
Hydraulic System	66 Gallons (250.0 Liters)
Hydraulic Tank	39 Gallons (147.0 Liters)
Final Drive (per side)	1.3 Gallons (5.0 Liters)
Swing Drive	2.6 Gallons (9.7 Liters)
Engine Oil.....	6.1 Gallons (23.1 Liters)
DEF Tank.....	31 Gallons (120.0 Liters)
Coolant System	8.3 Gallons (31.4 Liters)

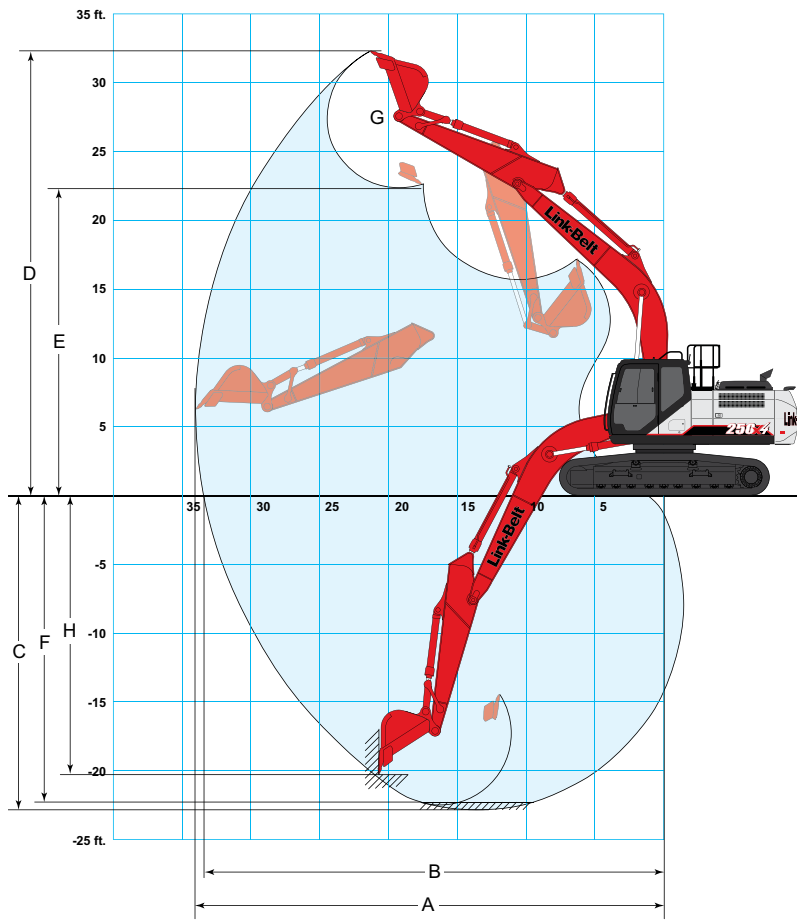


Operating Weight

Working weight with 31.5" (800 mm) shoes, 19' 2" (5.85 m) boom, 9' 10" (3.0 m) arm, 1,790 lb. (810 kg) bucket, 11,500 lb. (5 220 kg) counterweight

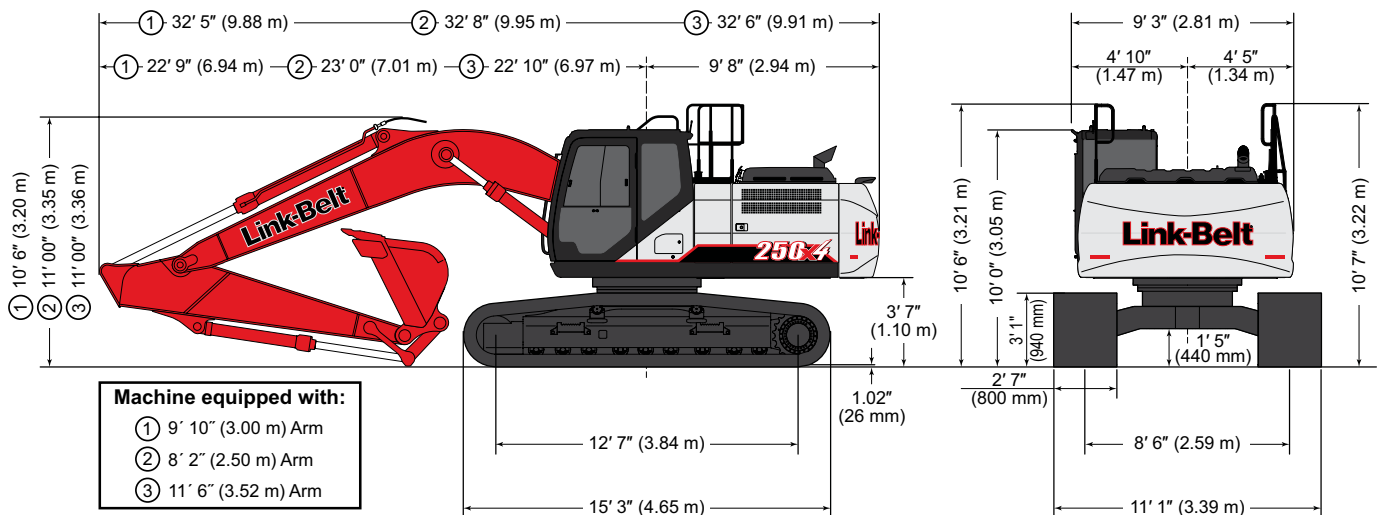
56,900 lbs. (25 800 kg)

WORKING RANGE & TRAVEL DIMENSIONS



Machine Equipped with 19' 2" (5.85 m) Boom	Arm 9' 10" (3.00 m)	Arm 8' 2" (2.50 m)	Arm 11' 6" (3.52 m)
A. Maximum reach	33' 9" (10.28 m)	32' 3" (9.82 m)	35' 5" (10.79 m)
B. Maximum reach @ ground level	33' 2" (10.10 m)	31' 7" (9.63 m)	34' 10" (10.62 m)
C. Maximum dig depth	22' 8" (6.90 m)	21' 0" (6.40 m)	24' 4" (7.42 m)
D. Maximum dig height	32' 0" (9.76 m)	31' 4" (9.56 m)	33' 0" (10.07 m)
E. Maximum dump height	22' 2" (6.76 m)	21' 6" (6.55 m)	23' 2" (7.06 m)
F. Digging depth 8' (2.44 m) level bottom	22' 1" (6.74 m)	20' 4" (6.21 m)	23' 10" (7.27 m)
G. Bucket rotation	175°	175°	175°
H. Maximum vertical wall depth	20' 2" (6.14 m)	18' 8" (5.70 m)	21' 11" (6.68 m)

Travel Dimensions



STANDARD & OPTIONAL EQUIPMENT

STANDARD EQUIPMENT

- CAB**
- 12V Power Outlet
 - AM/FM Sound System
 - Anti-Theft Device
 - Auxiliary Switches on Control Lever
 - Bluetooth
 - Cab Filter - External
 - Cab Handrails
 - Cab Interior Light
 - Cab ISO-Mounts
 - Cab Light (2)
 - Clear Roof Window
 - Climate Control A/C and Heater
 - Cup Holder
 - Defroster
 - Digital Clock
 - Emergency Exit and Hammer
 - Face Vent
 - Floor Mat
 - FOPS Level 1 Certified
 - Front Window One-Touch Lock
 - Gate Lock Hydraulic Activation
 - Horn
 - Hour Meter (Digital)
 - LCD Color Monitor
 - Magazine Storage Rack
 - Maintenance Interval Reminders
 - MP3 Auxiliary Input Jack
 - On-Board Diagnostic System
 - One-Piece Right Window
 - Radio Mute Switch
 - Rear View Camera
 - Rear View Mirrors (2)
 - RemoteCARE Support System (GPS)
 - Roof Sun Shade
 - ROPS Certified Structure
 - Safety Glass Windows
 - SCM Air-Suspension Seat
 - Seat Recline
 - Selectable Monitor Languages
 - Small Storage
 - Travel Alarm with Cancel Switch
 - Trip Meter (Digital)
 - USB Input
 - Wiper & Washer
 - Wiper Switch on RH Joystick

- ENGINE**
- 50A Alternator
 - Air Filter (Double Element)
 - Air Filter Restriction Indicator
 - Air Pre-Cleaner (Cyclone type)
 - Auto Warm-Up System
 - Auto-Idle

- Auto-Idle Engine Shutdown
- Battery Disconnect Switch w/ LED Light
- CEGR (Cooled Exhaust Gas Recirculation)
- Cooling Fan
- Diesel Oxidation Catalyst (DOC)
- Drain for Fuel Tank
- Dual Remote Fuel Filters with Water Separators
- EGR Coolers
- Emergency Engine Stop
- Engine Idle System
- Engine Oil Sample Port
- Engine Protection Feature
- External Fuel Gauge
- External DEF Gauge
- Fan Housing
- Fuel Cooler
- Fuel Filter Restriction Indicator
- Fuel Management System
- Fuel Shut-Off Valve
- Fuel Usage History
- Fuel Usage Monitor
- Glow Plug Pre-Heat
- Idle-Start
- Intercooler
- Neutral Start
- One-Touch Idle
- Passive Emissions Regeneration
- Radiator / Oil Cooler / Intercooler Protective Screen
- Remote Engine Oil Drain
- Remote Oil Filter
- Selective Catalytic Reduction (SCR)
- DEF Gauge on Monitor
- VGT Turbocharger

- HYDRAULICS**
- Anti-Drift Valves
 - Arm Regeneration
 - Arm Speed Assistance (2 Pump Flow)
 - Attachment Cushion Valve
 - Auto Swing Priority
 - Auxiliary Flow Control
 - Auxiliary Tool Settings (Memory)
 - Auxiliary Valve
 - Boom Regeneration
 - Boom Speed Assistance (2 Pump Flow)
 - Bucket Curl Assist
 - Control Levers Pre-Wired for Auxiliary Hyd.
 - Control Pattern Changer (2 way)
 - Electronically Controlled Hydraulic Pumps
 - Fire Wall
 - Free Swing
 - Hydraulic Filter Restriction Indicator
 - Hydraulic Oil Sample Port
 - Long Life Hydraulic Oil (5,000 Hour)
 - Neutral Pump De-Stroke
 - Oil Cooler
 - Power Boost
 - Power Save
 - Pressure Reading on Monitor
 - Pump Stand-By Pressure
 - Single Pedal Travel
 - Straight Travel Circuit

- Long Life Hydraulic Oil (5,000 Hour)
- Neutral Pump De-Stroke
- Oil Cooler
- Power Boost
- Power Save
- Pressure Reading on Monitor
- Pump Stand-By Pressure
- Single Pedal Travel
- Straight Travel Circuit

- UNDERCARRIAGE**
- 800 mm (31.5" in) 3-Bar Steel Grousers
 - Carbody Belly Pan (Swivel Guarding)
 - Center Track Guide (single)
 - Lashing Points (Tie-Downs)
 - Long Undercarriage
 - Sealed Link Chain
 - Steps
 - Strutted Track Chain
 - X-Pattern Carbody
- UPPERSTRUCTURE**
- Belly Pans
 - Center Cover (Over Main CV)
 - Fuel Tank Belly Pan
 - Hand Rail (RH access)
 - ISO Guard Rails
 - Lifting Eyes for Counterweight
 - Lockable Fuel Cap and Service Doors
 - Lockable Tool Box
 - Turntable Tub
 - Work Lights (Boom and Tool Box)

- ATTACHMENT**
- 19' 2" (5.85 m) Main Boom Section
 - Auxiliary Pipe Brackets
 - Boom Work Light
 - Bucket Anti-Clatter Device
 - Chrome Pins
 - Easy Maintenance System (EMS)
 - Remote Lube Bank
 - Teardrop Pin Retention Keepers

- PARTS KIT**
- Bucket Anti-Clatter Device
 - Engine Manual
 - Engine Oil Filter
 - Filter Wrench
 - Fuel Filters
 - Grease Gun
 - Green Plug Drain Hose for Engine Oil Drain
 - Hydraulic Return Filter
 - Ignition Keys
 - Pilot Circuit Hydraulic Filter
 - Rearview Mirrors
 - Work Light for Boom

OPTIONAL EQUIPMENT

- CAB**
- 270° WAVES™ Camera System
 - Cab Light (2 LED)
 - Cab Sun Screen (rear)
 - FOPS Head Guard (Level 2)
 - Front Guard (Mesh)
 - Front Guard (OPG 1,2)
 - LED Light Kit for Side Camera (1)
 - LED Lights for Rear Camera (2)
 - Rain Deflector
 - SCM Air-Suspension Seat with Tilt & Heater

- ENGINE**
- B5A Alternator
 - Refuel Pump
 - Reversible Cooling Fan
 - Tropical Package

- HYDRAULICS**
- Hose Burst Check Valve
 - Proportional Hydraulic Controls

- AUXILIARY HYDRAULIC OPTIONS**
- Single-Acting Aux. w/ Proportional Joysticks
 - Multi-Function Aux. w/ in-cab pressure setting control
 - Thumb Aux. w/ Proportional Joysticks
 - Combination Aux. w/ in-cab pressure setting control

- UNDERCARRIAGE**
- 600 mm (23.5" in) 3-Bar Steel Grousers
 - 700 mm (27.5" in) 3-Bar Steel Grousers
 - Center Track Guide (triple)

- UPPERSTRUCTURE**
- Rubber Bumper Guards
 - Side Guards (Full-length, welded, triangulated steel)

- ATTACHMENT**
- 8' 2" (2.50 m) Short Arm
 - 9' 10" (3.00 m) Arm
 - 11' 6" (3.52 m) Arm
 - HD Bucket Linkage
 - Quick Couplers
 - Thumbs

Bucket Sizes

Bucket Type	SAE Heaped Capacity		Width Outside Lip		Bucket Weight		Number of Teeth	Arm Length		
	(yd³)	(m³)	(in)	(mm)	(lbs)	(kg)		8' 2" 2.50 m	9' 10" 3.00 m	11' 6" 3.50 m
STDP Standard duty plate	0.80	0.61	24	610	1285	583	3	H	H	H
	1.06	0.81	30	762	1458	661	4	H	H	H
	1.33	1.02	36	914	1630	739	5	H	H	H
	1.61	1.23	42	1067	1774	805	5	M	M	M
	1.89	1.45	48	1219	1918	870	5	M	M	L
	2.16	1.65	54	1372	2091	948	6	L	L	L
2.43	1.86	60	1524	2239	1016	6	L	L	N/A	
HDP Heavy duty plate	0.80	0.61	24	610	1498	679	3	H	H	H
	1.06	0.81	30	762	1705	773	4	H	H	H
	1.33	1.02	36	914	1873	850	4	H	H	H
	1.61	1.23	42	1067	2080	943	5	M	M	M
	1.89	1.45	48	1219	2247	1019	5	M	L	L
	2.16	1.65	54	1372	2454	1113	6	L	L	N/A
2.43	1.86	60	1524	2621	1189	6	L	N/A	N/A	
XDP Extreme duty plate	0.79	0.60	24	610	2230	1012	3	H	H	H
	1.05	0.80	30	762	2528	1147	4	H	H	H
	1.32	1.01	36	914	2749	1247	4	H	H	M
	1.59	1.22	42	1067	3047	1382	5	M	M	L
	1.87	1.43	48	1219	3267	1482	5	L	L	N/A
	2.15	1.64	54	1372	3565	1617	6	L	N/A	N/A
2.43	1.86	60	1524	3786	1717	6	N/A	N/A	N/A	
POWER HDP for use with ESCO multi-pin grabber only	0.76	0.58	24	610	3025	1372	3	H	H	H
	0.98	0.75	30	762	3183	1444	4	H	H	H
	1.21	0.93	36	914	3392	1539	4	H	H	M
	1.44	1.10	42	1067	3552	1611	5	M	M	L
	1.68	1.28	48	1219	3709	1682	5	M	L	N/A
	1.91	1.46	54	1372	3920	1778	6	L	L	N/A
DITCH	1.30	0.99	60	1524	1767	802	0	H	H	H
	1.45	1.11	66	1676	1928	875	0	H	H	M
	1.59	1.22	72	1829	2034	923	0	H	M	M

Approval Code For Arm/Bucket Combinations

H..... Heavy material (up to 3,370 lbs./yd³)

M..... Medium material (up to 2,700 lbs./yd³)

L..... Light material (up to 2,020 lbs./yd³)

N/A..... Not applicable

STDP Standard duty plate

HDP Heavy duty plate

XDP Extreme duty plate

POWER ... HDP for use with ESCO multi-pin grabber only

Litho in USA 08/20 #LBX2431 supersedes #LBX2306

LBX® and Link-Belt® are registered trademarks. Copyright 2020. All rights reserved. We are constantly improving our products and therefore reserve the right to change designs and specifications.